

masha

PLATFORM LIFT

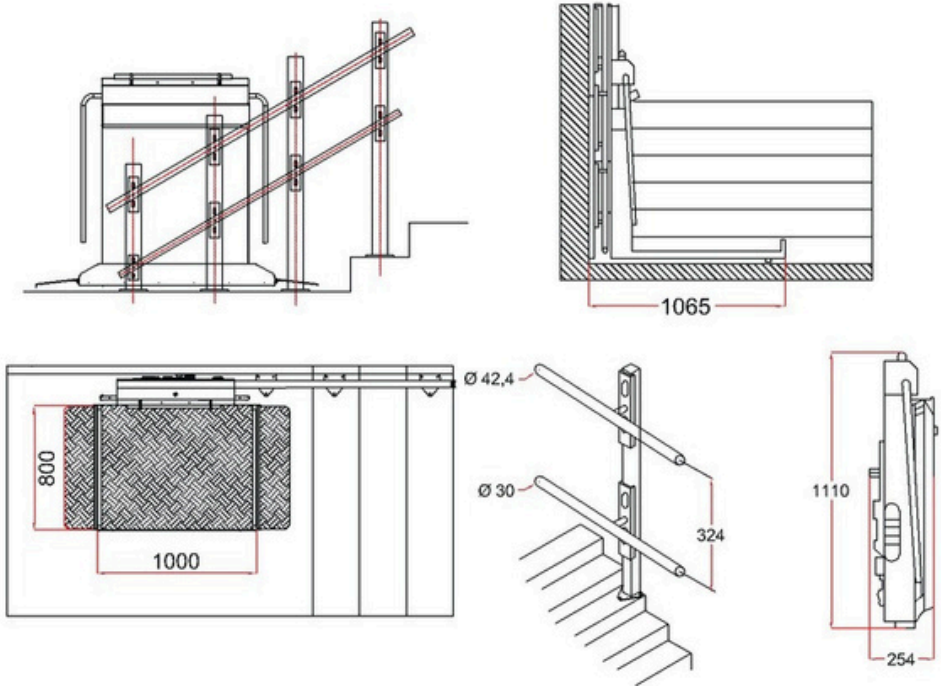




64x14 mm LCD
300 kg climbing capacity up to 40°
Anti-Jamming switches at 5 different points
Fully automatical remote control and drive modes
English menu option



masha



Security System

Speed

Carrying Capacity

Platform Size

Drive System

Operating Voltage

Motor

Emergency stop

Certifications

Parachute Brake & Anti-Jamming Switches

0,07-0,15 m/sec

250 kg (300 kg Optional)

1000x800 mm (750x700 mm Optional)

Rack and Pinion Gear

220 V 50 hz

0.50 kW

Exist

EN-81/40 | ISO 12100 | ISO 9386-2