

Vertical ND1

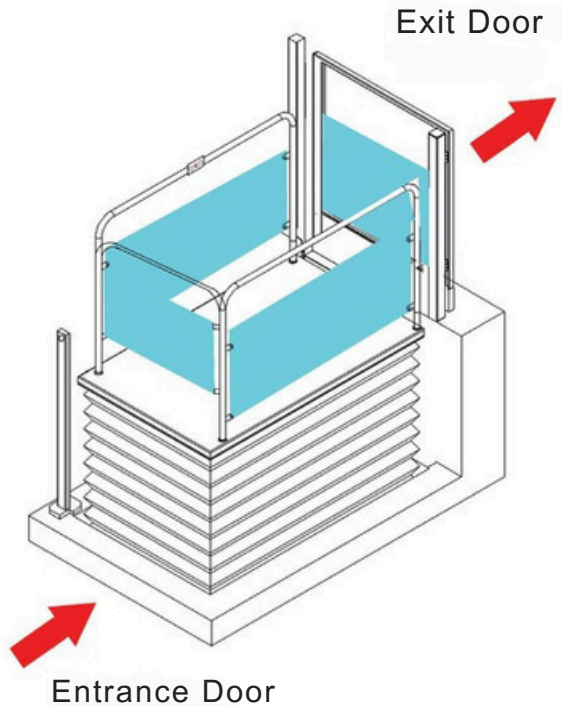
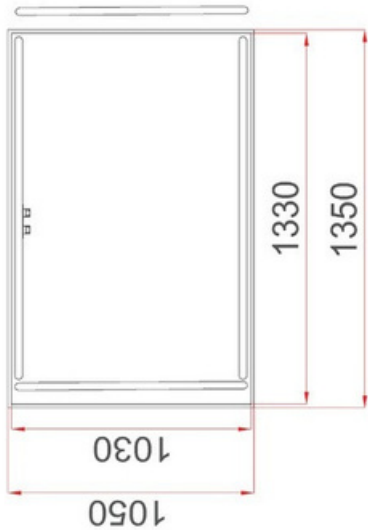


1330x1030 mm platform's dimensions
4 corner accordion bellows for full safety
Glazed & galvanised railing
Up to 2 metres access
Non-Slip platform surface





Vertical ND1



Travel Distance	500-2000 mm
Speed	0,15 m/sec
Load Capacity	300 kg
Platform Dimensions	1030x1330mm
Drive System	Hydraulic(ScissorLiftSystem)
Power Requirement	220 V - 50 Hz
Motor	0.75 kW
Emergency Stop	Existing
Certifications	EN-81/41