

Address

Shipping address  see address

Com.:

Order  
 Estimate

Purchaser: \_\_\_\_\_

Telephone: \_\_\_\_\_



## Basic Price 2790,- €

Price valid from January 1st 2026  
(until revoked)

# F1

\*Όλες οι αναγραφόμενες τιμές δεν περιλαμβάνουν μεταφορικά έξοδα και Φ.Π.Α

## Mobility base for seating systems

Capacity up to 120kg

### Standard equipment:

user weight + Seating system: \_\_\_\_\_ kg

- Rigid aluminium frame with abduction
- Back with hand bow, angle adjustable, height adjustable and tiltable
- Castor
- Rear wheels with drum brake (and camber)

basic measure							max. width seat shell
frame	frame tube	seat frame width B	frame width front A	frame width back C	width between wheels D	total width E	
Frame size 0 <input type="checkbox"/> Code U700	30mm	26 cm	45 cm	34 cm	37,5 cm 40,5cm*	55,5 cm 52cm*	
Frame size 1 <input type="checkbox"/> Code U701	30mm	32 cm	51 cm	40 cm	43,5 cm 46,5cm*	61,5 cm 58cm*	
Frame * size 2 <input type="checkbox"/> Code U702	30mm	38 cm	57 cm	46 cm	49,5 cm 52,5cm*	67,5 cm 64cm*	
* Frame size 3 <input type="checkbox"/> Code U703	30mm	44 cm	63 cm	52 cm	55,5 cm 58,5cm*	73,5 cm 70cm*	

\* Note: for size 2 and 3 we suggest the frame with two gas springs for seat adjustment (see CODE U708) III

\* without wheel cover and camber

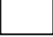















\* width with 12" wheel

total width E +4cm by wheelbase extension












## technical data

<b>Seat tilt</b> <input type="checkbox"/> -10 to 30° <input type="checkbox"/> -2 to 35°	<b>min. seat height with rear wheel</b> 12" a. 20" <b>42 cm</b> 22" <b>43 cm</b> 24" <b>44 cm</b> concerning seat frame (trapezium adapter +2cm) seat can be changed 9cm in height	<b>H total height: 95 - 105cm*</b> <b>L total length: 79,5 - 92cm</b> <b>T seat depth: size 0 = 32cm</b> <b>size 1-3 = 35cm</b>	
<b>Incline back with gas spring</b> <b>90 to 120°</b>			
<b>Gewicht:</b> from 12 kg (without rear wheel) from 16 kg (with rear wheel 24")		* according to the angle of the back / hand bow and the size of the rear wheels	

Technical changes and print mistakes are reserved. VD2420E-38

frame colour		Because of the material are different colours possible			
<b>shiny</b>	<input type="checkbox"/>  25 RAL9010 white	<input type="checkbox"/>  53 cassis shiny	<input type="checkbox"/>  45 RAL 6018 yellow green	<input type="checkbox"/>  63 platin met.	
	<input type="checkbox"/>  24 RAL1028 melonyellow	<input type="checkbox"/>  59 atlanticblue met.	<input type="checkbox"/>  60 mojitogreen met.	<input type="checkbox"/>  23 RAL9005 black	
	<input type="checkbox"/>  27 mandarin met.	<input type="checkbox"/>  16 RAL5002 ultramarine blue	<input type="checkbox"/>  19 silvermetallic		
	<input type="checkbox"/>  06 dormantred	<input type="checkbox"/>  17 dormantblue	<input type="checkbox"/>  46 RAL 9023 perl darkgrey		
	<input type="checkbox"/>  40 redmetallic	<input type="checkbox"/>  64 petrolgreen met.			

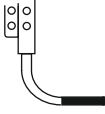
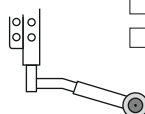
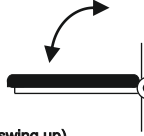
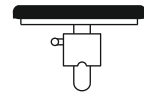
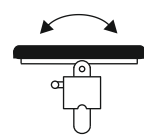
met. = metalized

frame colour		Because of the material are different colours possible			
<b>mat / satined</b>	<input type="checkbox"/>  79 edelweiss matt	<input type="checkbox"/>  75 petrolgreen met. satined	<input type="checkbox"/>  77 silvermetallic satined		
	<input type="checkbox"/>  66 mandarin met. satined	<input type="checkbox"/>  73 yellowgreen met. satined	<input type="checkbox"/>  78 platin met. satined		
	<input type="checkbox"/>  67 traffic red satined	<input type="checkbox"/>  74 mojitogreen met. satined	<input type="checkbox"/>  58 satin black		
	<input type="checkbox"/>  71 atlanticblue met. satined				
	<input type="checkbox"/>  70 ultramarine blue satined				

met. = metalized


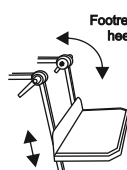


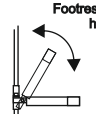
Edition Duo-Color	
<p><b>Edition "Duo-Color"</b></p> <p>Colour 1: _____      Colour 2: _____</p> <ul style="list-style-type: none"> <li>- Seat frame</li> <li>- Footrest holder</li> <li>- Footrest</li> </ul> <p style="text-align: center;">Code U705</p>	<ul style="list-style-type: none"> <li>- Frame</li> <li>- Gas spring bar</li> <li>- Back part down</li> <li>- Hand bow</li> </ul>
<input type="checkbox"/>	OE 102,- €

note

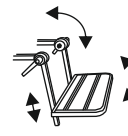
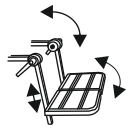

frame accessories		armrest		
<p><b>Tip shackle with adapter</b></p> <p><input type="checkbox"/> right <input type="checkbox"/> left</p>  <p>Code U711</p>	<p><b>Anti-tip wheel with adapter</b></p> <p><input type="checkbox"/> right <input type="checkbox"/> left</p>  <p>Code U712</p>	<p><b>Armrest holder with arm pads, fixed at the back tube</b></p>  <p>(arm pads swing up)</p> <p>Code U746</p>	<p><b>Armrest adjustable in height with raster, for mounting on the seating shell</b></p>  <p><input type="checkbox"/> armrest long <input type="checkbox"/> armrest short</p> <p>Code U748 (self installation on the seating shell)</p>	<p><b>Armrest short adjustable in height and angle adjustable with raster, for mounting on the seating shell</b></p>  <p>Code U747 (self installation on the seating shell)</p>
Piece	94,- €	Pair	Pair	Pair
		296,- €	234,- €	286,- €

VD2420E-38 Technical changes and print mistakes are reserved.

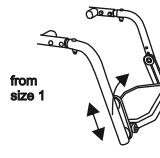
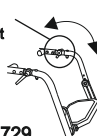
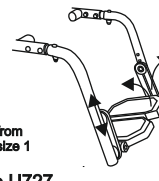
footrest

<p>Single footrest with knee angle adjustable</p>  <p>Footrest with heel edge</p> <p>Code U722</p>	<p>Single footrest with knee angle and gear segment adjustable</p>  <p>Footrest with heel edge</p> <p>Code U721</p>	<p>Footrest angle adjustable additional joint for angle adjustable (for single footrest with knee angle CODE U722 or U721)</p>  <p>Code U728</p>	<p>Footrest angle adjustable additional gear segment for angle adjustable (for double footrest, with knee angle CODE U722 or U721)</p>  <p>footrest not folding upwards</p> <p>Code U728Z</p> <p>(not in combination with CODE U725)</p>	<p>Footrest folding upwards (for single footrest with knee angle CODE U722 or U721)</p>  <p>Footrest without heel edge</p> <p>from size 1</p> <p>Code U725</p> <p>(not in combination with CODE U728)</p>	
<input type="checkbox"/> Piece 296,- €	<input type="checkbox"/> Piece 348,- €	<input type="checkbox"/> Piece OE 116,- €	<input type="checkbox"/> Piece OE 148,- €	<input type="checkbox"/> Piece OE 182,- €	

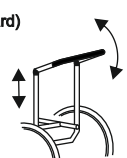
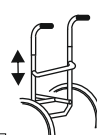

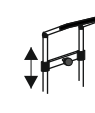
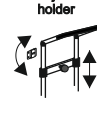
footrest

<p>Single footrest alu. flat-profile gear segment knee angle and footrest folding upwards</p>  <p>Code U7025</p>	<p>Double footrest alu. flat-profile gear segment knee angle</p>  <p>Footrest without heel edge</p> <p>Code U7026</p>	<p>Heel edge for double footrest for CODE U7026</p> <p><input type="checkbox"/> Pair</p> <p>Code U7028</p> <p>each 159,- €</p> <p>for single footrest for CODE U7025, U721 or U722</p> <p><input type="checkbox"/> Piece</p> <p>Code U7027</p> <p>each 148,- €</p>	<p>Calves pads for double footrest for CODE U7026</p> <p><input type="checkbox"/> Pair</p> <p>Code U7023</p> <p>each 172,- €</p> <p>for single footrest for CODE U7025, U721 or U722</p> <p><input type="checkbox"/> Piece</p> <p>Code U7022</p> <p>each 156,- €</p>	<p>Spasticity lock for footrest folding upwards</p> <p>for CODE U725 CODE U7025 CODE U7026</p> <p>Code U725S</p> <p><input type="checkbox"/> MP 75,- €</p>	<p>footrest angle adjustable additional gear segment for angle adjustable (for double footrest CODE U7025 or for single footrest CODE U7026)</p>  <p>footrest not folding upwards</p> <p>Code U7029</p> <p>(not in combination with CODE U725S)</p> <p><input type="checkbox"/> Piece OE 128,- €</p>	
<input type="checkbox"/> Piece 356,- €	<input type="checkbox"/> Pair 432,- €					

footrest


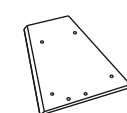
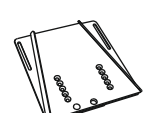
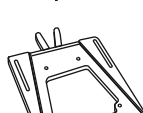
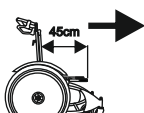
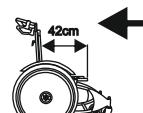
<p>Single footrest alu-profile, with holder at the seat tube angle adjustable, folding upwards and LLL adjustable</p>  <p>from size 1</p> <p>Code U726</p> <p>LLL from upper edge seat frame to footrest</p> <p><input type="checkbox"/> LLL 15 - 32cm (mounted in frame)</p> <p><input type="checkbox"/> LLL 30 - 40cm* (Footrest holder long with footrest bow)</p> <p>* Note: only possible at a very high seat height (because of the castor)</p>	<p>Footrest holder height adjustable</p> <p>only in combination with CODE U726 or U727</p> <p>additional gear segment</p>  <p>Code U729</p> <p><input type="checkbox"/> Pair OE 196,- €</p>	<p>Spasticity lock for footrest</p> <p>single footrest for CODE U726</p> <p><input type="checkbox"/> Code U724</p> <p>OE 92,- €</p> <p>double footrest for CODE U727</p> <p><input type="checkbox"/> Code U723</p> <p>OE 158,- €</p>	<p>Double footrest alu-profile, with holder on the seat tube angle adjustable, folding upwards and LLL adjustable</p>  <p>from size 1</p> <p>Code U727</p> <p>LLL from upper edge seat frame to footrest</p> <p><input type="checkbox"/> LLL 15 - 32cm (mounted in frame)</p> <p><input type="checkbox"/> LLL 30 - 40cm* (Footrest holder long with footrest bow)</p> <p>* Note: only possible at a very high seat height (because of the castor)</p> <p>Pair 388,- €</p>
<input type="checkbox"/> Piece 362,- €			

back

<p>Back with hand bow height adjustable, angle adjustable and tiltable</p> <p><input type="checkbox"/> Hand bow U-form (standard)</p> <p><input type="checkbox"/> Hand bow trapezium-form (In comb. with U741 not possible)</p> <p>Code U741 (standard)</p> <p><input type="checkbox"/> with one hand brake</p> <p>Code U744</p> <p><input type="checkbox"/> with two single brake lever</p>  <p>Back angle: Code U719</p> <p><input checked="" type="checkbox"/> Gas spring</p> <p>Code U741-S</p>	<p>Back with single push handles, height adjustable (2 single brake lever)</p>  <p>Code U741-S</p>	<p>Back tubes 10cm higher</p> <p><input type="checkbox"/> Code U745</p> <p>OE 118,- €</p>	<p>Back guide in the centre with fork for seating shell</p>  <p>Code U742</p> <p><input type="checkbox"/> Piece 272,- €</p>	<p>Back guide for seating shells with slide bush on back tube</p>  <p><input type="checkbox"/> Code U742R</p> <p>with Code U741-S not possible!!</p> <p>and angle adjustable holder</p>  <p><input type="checkbox"/> Code U742RW</p> <p>with Code U741-S not possible!!</p> <p>Piece 282,- €</p>	<p>Back angular adjustment fixed without gas spring</p> <p><input type="checkbox"/> Code U743</p> <p>Piece 306,- €</p>	<p>without OE</p>
Standard						

adapter




seat



<p>Trapezium adapter 2-pieces (for seating shell)</p>  <p>Code U731</p> <p><input type="checkbox"/> Set 324,- €</p>	<p>Trapezium adapter upper part (for seating shell)</p>  <p>Code U732</p> <p><input type="checkbox"/> Piece 137,- €</p>	<p>Trapezium adapter alu (for mobility base)</p>  <p>Code U733</p> <p><input type="checkbox"/> Piece 191,- €</p>	<p>HC-Trapezium adapter for seating shell, 2-pieces alu</p>  <p>Code U739</p> <p><input type="checkbox"/> Set 424,- €</p>	<p>Seat 10cm longer seat frame long (forwards)</p>  <p>45cm</p> <p>Code U734</p> <p><input type="checkbox"/> Set OE 219,- €</p>	<p>Seat extension 7cm (backwards)</p>  <p>42cm</p> <p>Code U735</p> <p><input type="checkbox"/> Set OE 186,- €</p>	<p>Seat frame with 2 gas spring for seat angle adjustment</p> <p>## Special option##</p> <p>for size 2 or 3</p> <p>Code U708</p> <p><input type="checkbox"/> Set OE 552,- €</p>
--	--	---	--	---	---	---


Footrest swing away from the wheelchair SPRINT is in special construction possible !!

Technical changes and print mistakes are reserved.

VD2420E-38

rear wheel					
Rear wheel with drum brake, hand rims alu., quick release axle and pneumatic tyre (for companion) <input type="checkbox"/> 12" Code U761 without handrim / with screw axle <input type="checkbox"/> 20" Code U762 only with 140mm castor possible <input type="checkbox"/> 22" Code U763 <input type="checkbox"/> 24" Code U764	Rear wheel with drum brake, handrim alu., quick release axle and solid tyre (for companion) <input type="checkbox"/> 20" Code U767 <input type="checkbox"/> 22" Code U768 <input type="checkbox"/> 24" Code U769	Camber for rear wheel 20", 22" a. 24" <input type="checkbox"/> 0° standard <input type="checkbox"/> 4° * <input type="checkbox"/> 7° * * not possible: - with rear wheel 20" - wheel base long	Wheel cover <b>plastic</b> (with holder)  Code U779	Wheel cover <b>aluminium round, coloured coated</b> (with holder)  (for rear wheel 20", 22" or 24") Code U776	Wheel cover <b>PC-Carbon</b> (Clothing guard round with holder) (for rear wheel OFF-ROAD 24")  Code U776PC
<b>Standard</b>			<input type="checkbox"/> Pair 264,- €	<input type="checkbox"/> Pair 369,- €	<input type="checkbox"/> Pair 312,- €

rear wheel					
SAFETY-GRIP wheel rim with integrated hand rim <input type="checkbox"/> 22" Code U7602 <input type="checkbox"/> 24" Code U7604 only in combination with rear wheel CODE U763, U764, U768 or U769	"Black Edition" Rear wheel with black hub, black rim and quick release axle with black cap and black tyre Marathon Plus Evolution <input type="checkbox"/> 22"x1 pneumatic Code U763S <input type="checkbox"/> 24"x1 pneumatic Code U764S	Spoke cover transparent  <input type="checkbox"/> 20" Code U770 <input type="checkbox"/> 22" Code U771 <input type="checkbox"/> 24" Code U772	Handrim cover black  <input type="checkbox"/> 20" Code U5094 <input type="checkbox"/> 22" Code U795 <input type="checkbox"/> 24" Code U796	Wheel base long (extension by 9cm)          Code U777 <input type="checkbox"/> Pair 186,- €	
Pair OE 104,- €	Pair OE 112,- €	Pair 180,- €	Pair 138,- €		

rear wheel			accessories		
Rear wheel 24" with OFF-ROAD tyre (with special size of wheel 507) with aluminium hand rim black instead of normal rear wheels -> only in combination with U764 IIIII <input type="checkbox"/> <b>OFF ROAD</b> 24" x 1,75 (47-507) Mountainbike Profil Code U759 Note: only with 0° camber possible II	Rear wheel OFF-ROAD 24" additional (special size of wheel 507) with aluminium hand rim black and quick release axle additional to the normal rear wheel 24" (to change the wheel) <input type="checkbox"/> Code U759BB <b>OFF ROAD</b> 24" x 1,75 (47-507) Mountainbike profile Note: only with 0° camber possible II		Anchor plate system anchor plates for transport in cars (ISO 7176-19) Assembly kit for mobility base systems including mounting only with 0° camber 		
<input type="checkbox"/> Code U7091	<input type="checkbox"/> Code U7091V	<input type="checkbox"/> Code U7091H	Hinweis: combination with E-Fix or E-Motion not possible III		
Pair OE 328,- €	Pair 758,- €		Set 895,- €		

castor			brake			
Castor with screw axle <input type="checkbox"/> 140mm black soft (solid) Code U781S <input type="checkbox"/> 140mm soft (solid) Code U781 <input type="checkbox"/> 6" black soft PU ** Code U784P <input type="checkbox"/> 6" solid ** Code U784 <input type="checkbox"/> 6" pneumatic ** Code U783 <input type="checkbox"/> 7" pneumatic * Code U782 <input type="checkbox"/> 7" solid * Code U788			Fixing brake for rear wheel  <input type="checkbox"/> 20" Code U791 <input type="checkbox"/> 22" Code U792 <input type="checkbox"/> 24" Code U793	Brake lever extension straight, foldaway  Code U778		
<b>Standard</b>			Pair OE 174,- €	<input type="checkbox"/> Pair 84,- €		

note					

\*\* 6 inch not by 20" rear wheel  
 \* 7 inch not by 20" and 22" rear wheel  
 Technical changes and print mistakes are reserved.  
 VD2420E-38


F1 accessories

# Trike

traking extension  
as steering and pushing aid



F1 accessories


traking extension <b>TRIKE</b> as steering and pushing aid		# special holder lateral at frame (for tube Ø23) with hook closure # castor 10x2" black alu fork # arrangement with gear segment # with ramp as mounting aid	
hook closure 			
capacity up to <b>60kg</b> (wheelchair incl. payload)	capacity up to <b>90kg</b> (wheelchair incl. payload)		
CODE U7991	CODE U7992		

<input type="checkbox"/> Piece	586,- €	<input type="checkbox"/> Piece	721,- €
--------------------------------	---------	--------------------------------	---------

**TRIKE** colour frame Edition "...-Color"

Note: the TRIKE frame parts are made of aluminium	TRIKE- frame colour powder coated  Colour : frame colour (see page 1)  - frame type right / left - cross tube - castor fork  Code 9908	Edition "Duo-Color"  colour 1: _____ (castor fork)  colour 2: _____ (frame type right / left, cross tube)  Code 9909	Castor fork with brake for directional stability   Code 9909F
	without extra charge <input type="checkbox"/> OE 136,- €	<input type="checkbox"/> OE 146,- €	<input type="checkbox"/> Piece OE 156,- €

F1 accessories

traking extension <b>TRIKE</b> as steering and pushing aid		# special holder for quick release (clamp) at the frame # castor 10x2" black alu fork # arrangement of levers with gear segment # with ramp as mounting aid	
quick release (clamp) 			
capacity up to <b>60kg</b> (base incl. payload) for size 0 and size 1	capacity up to <b>90kg</b> (base incl. payload) for size 2 and size 3		
CODE U7995	CODE U7996		

<input type="checkbox"/> Piece	591,- €	<input type="checkbox"/> Piece	731,- €
--------------------------------	---------	--------------------------------	---------

accessories

Technical changes and print mistakes reserved.

VD2420E-38

note

Technical changes and print mistakes reserved.

VD2420E-38

## General Terms and Conditions of Business (GTC)

### Validity

All sales are subject to our delivery and payment conditions, without any exception. Orders and other agreements will not be valid unless confirmed by us in writing. We expressly object to the customer's purchase conditions.

### Quotations and contract conclusion

Quotations are always subject to change, unless they are expressly limited in terms of time. Orders require a written confirmation. After confirmation, prices quoted in orders are fixed but we reserve the right to make adequate price adjustments in the event of price increases for which we are not responsible (e.g. tax increases, wage increases, price changes on the part of our suppliers). Cost estimates for customized products and repairs are always non-binding. We reserve the right to make technical modifications. The contract will not be concluded before the order is confirmed.

### Shipment

To the extent the customer has not made any specification, shipment will be made in usual packaging using an adequate method. Insurance will only be taken out upon request and at the expense of the customer.

Delivery will be made carriage forward. We are free to select a method of shipment. If the customer has special requests, e.g. express delivery, express freight, etc., the additional cost will also be borne by the recipient. The goods will always be shipped at the buyer's risk. In case of damage during transport, the recipient must apply for an ascertainment of the facts with the respective forwarding agent.

### Prices

All prices quoted by BEROLLKA will be quoted ex works, excluding any applicable statutory value added tax, public charges and levies such as potential customs tariffs, and insurance and packaging costs that will be charged separately.

### Minimum quantity surcharge

If a small order is placed with a net value below 20 euros, an additional lump-sum minimum quantity surcharge of 15.00 euros will additionally be charged to cover administrative costs.

### Delivery periods

The delivery dates and periods stated are subject to change. Any delay in delivery will not entitle the customer to withdraw from the contract. The assertion of damage claims is ruled out. BEROLLKA can make partial deliveries for justified reasons.

### Wrong orders / return of merchandise

Any goods erroneously ordered will only be taken back provided we are responsible for such an error and the merchandise is in impeccable condition. In the event that an item erroneously ordered or merchandise that was returned is taken back in an individual case as a gesture of goodwill, attention must be paid to the following:

1. It is necessary to state the article number, the designation of the article, the date and number of the delivery note and the invoice number.
2. The return shipment must be carriage paid.
3. The merchandise must correspond to the article number(s) listed in the delivery note. In no event will any individual parts removed from an article be taken back.
4. The returned merchandise must be in impeccable condition.
5. Processing fees amounting to 10% of the net merchandise value not, however, less than €35.- will be charged for any instance where goods are taken back.

Deliveries effected more than 3 months earlier as well as sewing pieces and customized products cannot be exchanged. A copy of the delivery note or of the invoice will serve as proof in this regard.

### Warranty and notices of defects

Excluding any further claims, the seller is liable for defects of the merchandise in that the seller will mend or replace all those parts free of charge that have become defective or unusable within 6 months due to provable defects of material or workmanship, and of which the seller has been notified in writing immediately after knowledge was gained of the defect. Should longer periods of time be required for statutory reasons, the warranty period is agreed to be 12 months.

The customer must grant the seller the required time and opportunity for effecting delivery of the replacement parts. Replaced parts will become the property of the seller. The buyer must check the merchandise without undue delay after it has been delivered by the seller and, if a defect is found, notify the seller of the defect without undue delay. Should the buyer fail to notify the seller, the merchandise will be deemed accepted unless a defect occurs that could not have been found when the merchandise was checked.

In any event in which a complaint is brought to the notice of BEROLLKA, BEROLLKA invariably has the right to inspect and check the item delivered that is the subject matter of said complaint, for which the customer will grant BEROLLKA the required time and opportunity. BEROLLKA can also demand that the customer sends the item delivered that is the subject matter of a complaint back to BEROLLKA at the expense of BEROLLKA. Should a notice of defects given by the customer turn out to be wilfully or gross negligently unfounded, the customer will be obliged to compensate BEROLLKA for any and all expenses incurred in this connection. BEROLLKA will be entitled to remedy warranty defects at its own discretion either by rectification of the defect or by replacement of the defective part or of the entire item delivered at no cost for the customer. Should the customer itself repair an item that gave rise to a complaint, or should the customer endeavour to rectify the defects itself without prior written approval of the seller, the seller will not grant any claims for reimbursement of expenses (such as transport, road, labour or material costs) or warranty claims.

The following are excluded from the liability for damages:

damage arising from natural wear and tear, damage due to negligent and/or improper treatment, or violent damage. A revocation of the purchase contract, a reduction of the purchase price or damage claims of any kind are ruled out. The warranty obligation will cease if repairs and/or modifications or replacements of individual parts are performed by other parties than the seller or the delivering company.

### Reservation of title

With regard to resellers: The merchandise delivered will remain our property until any and all invoices – also for different deliveries – have been fully paid. Our merchandise that is hence still our property may only be resold within the ordinary course of business. Amounts receivable from any resale are assigned to us. We must be notified without undue delay and on the reseller's own initiative of any disposal of said merchandise outside of the ordinary course of business, e.g. through pledging our property or amounts receivable assigned to us.

### Terms of payment

Any invoices are payable within 30 days from the date of the invoice strictly net cash. A 2% discount will be granted for payments received within 8 days provided any and all payment claims under earlier deliveries have been settled. We are entitled to charge default interest if the 30-day payment deadline is exceeded. The interest rate will be the customary market rate charged by major banks. We expressly reserve the right to effect delivery with cash on delivery.

### Data Protection

BEROLLKA and the customer are responsible themselves for compliance with the respective data protection rules applicable to them. The customer must not provide BEROLLKA with personal data that is illegal or that the customer is not legally authorised to distribute.

### The place of performance and the place of jurisdiction will be the place where the invoice is issued.

Heidelberg, Germany, will be the exclusive place of jurisdiction for any and all disputes arising under the contractual relationship. However, BEROLLKA is entitled to sue the customer at any other legal venue. These General Terms and Conditions of Business are governed by the laws of the Federal Republic of Germany, excluding of the United Nations Convention on Contracts for the International Sale of Goods of Goods (CISG).

Technical modifications and printing errors excepted. A current list of prices can be ordered at any time.