

ROBIN

Robin is a stander for upright positions, available in two sizes for children from 3 to 14 years.

Its elegant and simple look harmonises with its ease of use and its quick and easy adjustments, resulting in a product that is safe, practical and ready for use straight away. Robin allows easy access both from a sitting position (wheelchairs) and from a standing position, thanks to the platform located at a very low level and the special open frame design, making it easy to approach the product.

Robin, standard configuration,
with abdominal support



Colorful!

Bright colours, rounded shapes and an innovative design make the product attractive to the child who uses it.

Simple, practical and easy to adjust even with the child already standing on it, each adjustment can be made without the use of tools, allowing the supports to be adapted to the child's body so that he feels well supported and safe while gradually moving to a standing position (Robin enables gradual inclination from 0° to 30°, even at full load).

2 configurations

Robin is available in the **standard configuration**, with abdominal support complete with belt and a padded cushion, or in the **full options configuration** that includes a postural unit for pelvis restraint.

For both configurations, the padding is extremely soft and comfortable, the supports are ergonomically shaped and the frame is designed to allow direct access from a wheelchair.



Robin, full options configuration, with postural unit to contain the pelvis



Infinite adjustments

The frame can tilt up to 30° using a crank mechanism with worm screw to reach the different angles gradually and smoothly. The knee, sacrum, pelvis and trunk supports are customisable and enable extremely precise adjustments.

The footrest is adjustable for height and includes a pair of plates adjustable for depth, width, flexion-extension and inward-outward rotation. All the adjustments can be made without the use of tools, for a quick and safe setup.

Accessories

If required, Robin can be supplied with a tilt-adjustable wooden tray which can be fitted to the structure without the need for extra devices or the use of tools. Alternatively, it is possible to request a wooden table with a tray for objects, which can be closed by a transparent cover.

Accessories: compose your configuration!



Code 847001-02
Robin - standard configuration, with abdominal support complete with belt with padded cushion; frame adjustable of 30° by a mechanical system, supports for knees and trunk adjustable in height, footrest adjustable in height



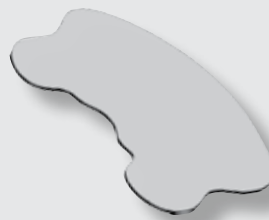
Code 847011-12
Robin - full options configuration, with abductor complete with postural unit for the pelvis, frame adjustable of 30° by a mechanical system, supports for knees and trunk adjustable in height, footrest adjustable in height



Code 847201
Wooden tray table adjustable for height and tilt.



Code 846200
Multipurpose wooden tray table, adjustable in height, depth and angle

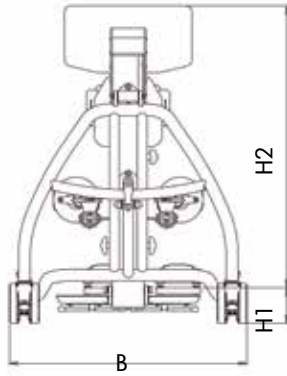


Code 846210
Transparent cover

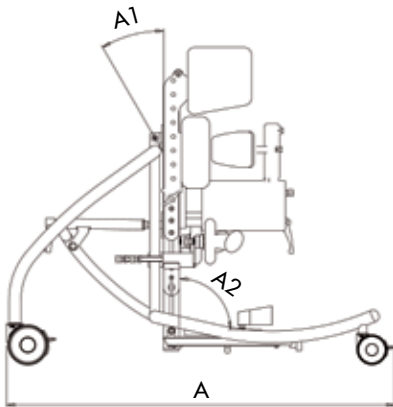
Tilt from 0° to 30°



Dimension sheet



			SIZE 1	SIZE 2
	Max load	Kg	30	40
A	Length	Cm	97	110
B	Width	Cm	59,5	66,5
H2	Height, foot-sternum	Cm	62-92	86-113
H1	Height, floor-foot	Cm	9	9
A1	Forward tilt	Cm	0°-30°	0°-30°
A2	Platform tilt	Cm	90°-75°	90°-75°



Choose the upholstery color:

Microfiber fabric

