

Όλες οι αναγραφόμενες τιμές δεν περιλαμβάνουν μεταφορικά έξοδα και Φ.Π.Α

R82 Multi Frame CAD Retail Price List/ Order Form



Account #: _____

Purchase Order No.: _____

Date: _____

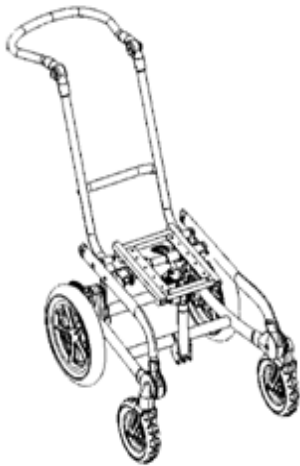
Contact: _____

Mark For: _____

| | |
|-----------------|-----------------|
| Bill To: | Ship To: |
| Address: | Address: |
| City/State/Zip: | |
| Phone: | City/State/Zip: |
| Email | Phone: |

Multi Frame Standard Features:

- 3 Sizes
- Change of Seat to Floor Height
- Angle Adjustable Push Brace
- Built-in Tilt-in-Space 0° to 30°
- Wheel Locks
- Anti-Tips, Swing-Away



- Size 1
- Size 2
- Size 3

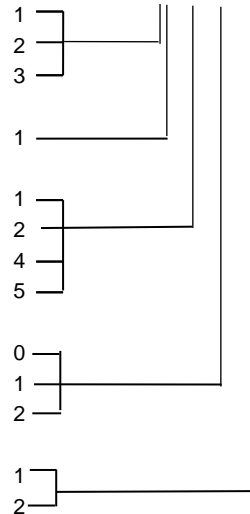
- Silver

- 12½" Pneumatic Rear, Black
- 22" Pneumatic Rear, Grey
- 12½" Solid Rear Wheels, Black
- 22" Solid Rear Wheels, Grey

- Wheel locks - *No Charge*
- Drum Brake for 12½" - *Upcharge*
- Drum brake for 22" - *Upcharge*

- 7" x 2" Pneumatic Caster Tires
- 7" x 2" Solid Caster Tires

97 X 1 X X X 1 0



- Wheelchair Frame, 12½" Rear Wheels
- Wheelchair Frame, 22" Rear Wheels

- Drum Brake, 12½" or 22" Rear Wheels

CAD Price

\$3,305

\$3,679

\$355

Transit Option

- Transit (A)

Size

One Size




CAD Price


\$249



Part No.

970905



| | | Foot & Leg Positioning | Size | CAD Price | Part No. |
|-----|---|---|-------------|------------------|-----------------|
| (A) |  | <input type="checkbox"/> Multi-Adjustable Foot Supports (6" to 10½") (A) | | \$505 | 8910852-1 |
| | | <input type="checkbox"/> Multi-Adjustable Foot Supports (6" to 14½") (A) | | \$505 | 8910852-2 |
| (B) |  | <input type="checkbox"/> Multi-Adjustable Foot Supports (6" to 17") (A) | | \$505 | 8910852-3 |
| | | <input type="checkbox"/> Footplate, Angle & Height Adjustable (12") (B) | 1 | \$143 | 95145-1 |
| (C) |  | <input type="checkbox"/> Footplate, Angle & Height Adjustable (14") (B) | 2 | \$143 | 85145-2 |
| | | <input type="checkbox"/> Footplate, Angle & Height Adj. w/4" Mounting Fitting (C) | 2 | \$143 | 95145-2 |
| (D) |  | <input type="checkbox"/> Footplate, Angle & Height Adj. w/4" Mounting Fitting (C) | 3 | \$143 | 95145-3 |
| | | <input type="checkbox"/> Footplate, Angle & Height Adj. w/4" Mounting Fitting (C) | 4 | \$143 | 95145-4 |
| | | <input type="checkbox"/> Footplate Mounting Bar (Required w/ Footplate) (D) | 6" - 10½" | \$181 | 8910821-1 |
| | | <input type="checkbox"/> Footplate Mounting Bar (Required w/ Footplate) (D) | 6" - 14½" | \$181 | 8910821-2 |
| | | <input type="checkbox"/> Footplate Mounting Bar (Required w/ Footplate) (D) | 6" - 17" | \$181 | 8910821-3 |

| | | Frame Options | Size | CAD Price | Part No. |
|-----|---|---|-------------|------------------|-----------------|
| (A) |  | <input type="checkbox"/> Spoke Protectors (A) | 22" | \$187 | 970922 |

| | | Accessories | Size | CAD Price | Part No. |
|-----|--|--|-------------|------------------|-----------------|
| (A) |  | <input type="checkbox"/> Anti-Tips (Required) | One Size | \$181 | X970957 |
| | | <input type="checkbox"/> Adapter for x:panda sz 1, 2, 3 (A)* | | \$218 | 8911610-98 |
| (B) |  | <input type="checkbox"/> Adapter for x:panda sz 4 (A)^ | | \$218 | 8911610-99 |
| | | <input type="checkbox"/> Vent Tray (12" x 12" x 2") (B) | 2, 3 | \$561 | 970815 |
| | | (A)* Required with x:panda sz 1, 2, 3 | | | |
| | | (A)^ Required with Multiframe sz 3 | | | |

For shipping rates, please call 1-844-876-6245
 PO Box 1739 Matthews, NC 28106 • 1-844-876-6245 • Fax: 704-882-0751
 Prices in USD & is subject to change without notice
 Effective: 6/16/2017

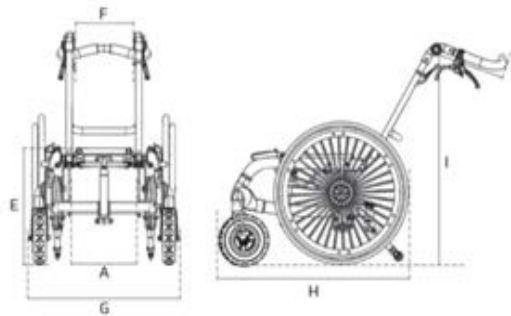
Configuration

- Multi Frame
- Foot Support
- Adapter
- Transport Fittings



- A (Back Height) _____
- B (Arm Height) _____
- C (Lower Leg Length) _____
- D (Seat Depth) _____
- E (Chest Width) _____
- F (Seat Width) _____
- G (Height-Seat to Top of Head) _____
- H (Shoulder Width) _____
- Age _____
- Weight _____

Measurements



Multi Frame

| | Size 1 Inches | Size 2 Inches | Size 3 Inches |
|---|--------------------------|--------------------------|--------------------------|
| Width, Inside (A) | 13¼" | 15¼" | 17¼" |
| Height Floor to Basic Plate (E) (Top/Mid/Bottom Pos.) | 15½"/16½"/17¼" | 15½"/16½"/17¼" | 15½"/16½"/17¼" |
| Back Width, Inside (F) | 9½" | 11½" | 13½" |
| Total Width 12½" (G) | 23" | 25" | 27" |
| Total Width 22" (G) | 23" | 25" | 27" |
| Distance Between Wheels with Drum Brake (G1) | 16¾" | 18¾" | 20½" |
| Distance Between Wheels without Drum Brake (G1) | 17¼" | 19" | 21" |
| Length of Frame 12½" (H) | 25" | 25" | 27" |
| Length of Frame 22" (H1) | 29¼" | 29¼" | 31¼" |
| Height Push Brace (I) | 34¼" - 38¼" | 34¼" - 38¼" | 34¼" - 38¼" |
| Height Push Brace 30° (I1) | 33½" | 33½" | 33½" |
| Push Brace Length (I2) | 8¾" | 8¾" | 8¾" |
| Seat Angling | 0 - 30°/35°/40° | 0 - 30°/35°/40° | 0 - 30°/35°/40° |
| Height Folded, without Back Wheels (Mid Position) | 15½" | 15½" | 15½" |
| Height Folded, with 12½" Back Wheels (Mid Position) | 18¼" | 18¼" | 18¼" |
| Height Folded, with 22" Back Wheel (Mid Position) | 22" | 22" | 22" |
| Length Folded, without Back Wheel | 27¼" | 27¼" | 29¼" |
| Length Folded, with 12½" Back Wheels | 28½" | 28½" | 30½" |
| Length Folded, with 22" Back Wheels | 33¼" | 33¼" | 35" |
| Max Load (User/Seat/Accessories) | 220 lbs. | 220 lbs. | 220 lbs. |
| Max Load at Transportation (User/Seat/Accessories) | 220 lbs. | 220 lbs. | 220 lbs. |
| Weight (12½" Air Wheels, Solid Front Wheels) | 28.6 lbs. | 28.6 lbs. | 28.6 lbs. |
| Weight (22" Air Wheels, Air Front Wheels) | 30.8 lbs. | 30.8 lbs. | 30.8 lbs. |