

RGK Head Office: Units 8 A/C Ring Road, Zone 2, Burntwood Business Park, Burntwood, Staffordshire, WS7 3JQ, UK
 Telephone:+44 (0) 1543 670077 - Fax:+44(0)1543 670088 - info@rgkwheelchairs.com - www.rgkwheelchairs.com
 To place order: chairorders@rgkwheelchairs.com
 To request quotation: quotes@rgkwheelchairs.com



Distributor Name: _____
 Contact Name: _____

Purchase Order No: _____
 Delivery Address: _____

 Postcode: _____
 Contact Name: _____
 Telephone: _____
 Email: _____

Notes/Comments:

FOR RGK OFFICE USE ONLY

| | | |
|----------------|-----|------|
| A/C No: _____ | | |
| | Who | Date |
| OK to Quote: | | |
| OK to Confirm: | | |
| Document No: | DOC | |

Net Value: € _____
 Freight: € _____
 Invoice Value: € _____
 Payment Received: € _____

- Base product
- Standard configuration
- Mandatory information
- Option with no extra cost
- Information required for option
- Option with extra cost

TGAXZ011 TIGA
€ 4,815.00



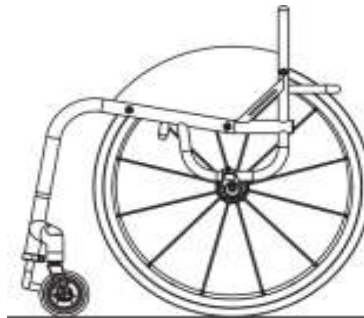
- XA070 Open design
- XA080 Closed design

TGAXA085 Crash tested upgrade
€ 184.00

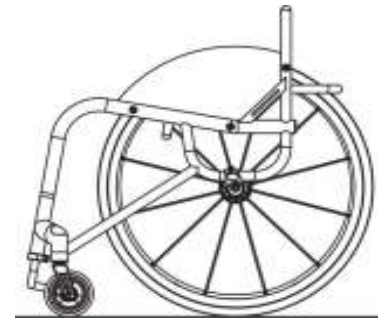
Max User Weight 125kg

XW010 Full CAD drawing for approval
€ 173.00

XW011 Quick CAD drawing for approval
€ 112.00 (Basic outline of chair within 2 working days*) *Approximate time only



XA070 - Open design



XA080 - Closed design

KEY FRAME MEASUREMENTS

XY010 Seat width *(Inside to inside of sideguards)*


 mm

(Max - 500mm)

XY020 Seat length


 mm

(Max - 500mm)

XY030 Extra seat length *(Provides additional leg support & hand grip)*


 mm

XY050 Front frame height


 mm

(Max - 550mm)
(Min - 380mm)

XY060 Rear frame height


 mm

(Max - 550mm)
(Min - 360mm)

XY070 Frame length


 mm

(Min = XY020 + XY030 + 140mm)

XY072 Castor position


 mm

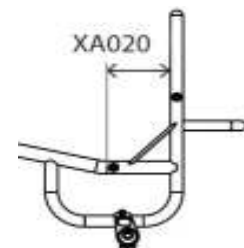
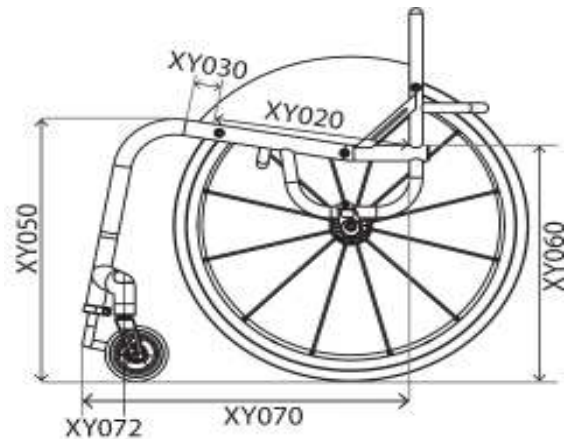
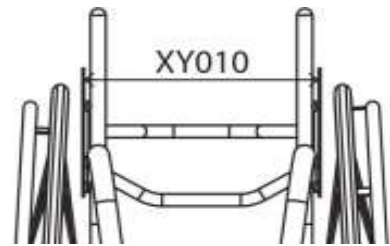
Optimise measurements

XA020 Ergonomic seat
€ 83.00



Specify length
 mm

(Standard = 120mm)



FRONT FRAME AND FOOTREST

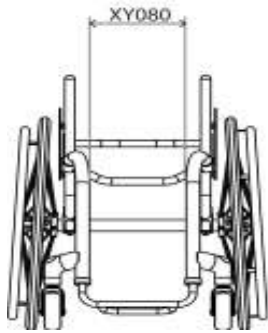
Front Frame Options

-
- XY080 Seat taper design

Specify width

 mm

(When combined with XY091, dimension is inbetween the centre of the main bends)

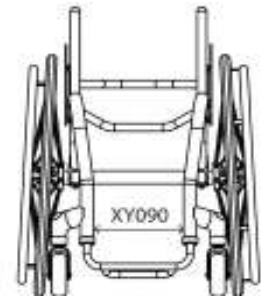


-
- XY091 Parallel taper design

Specify width

 mm

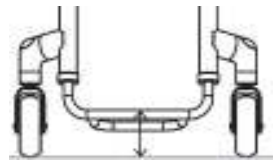
(When combined with XY080, dimensions must be smaller by 20mm)



Footrest Design (Choose One)

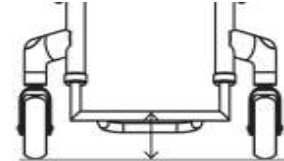
-
- XY100 Round design

| Castor Size | Max Height | With XB200 |
|-------------|------------|------------|
| 3" | 115mm | 165mm |
| 4" | 125mm | 175mm |
| 5" | 135mm | 185mm |

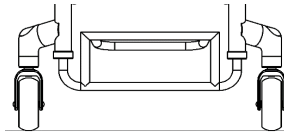


-
- XY105 Square design

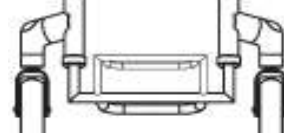
| Castor Size | Max Height | With XB200 |
|-------------|------------|------------|
| 3" | 135mm | 185mm |
| 4" | 145mm | 195mm |
| 5" | 155mm | 205mm |



-
- XB200 High level footrest (Only with XB010, XB080 & XB150)
-
- € 146.00



-
- XB200 High level footrest (Only with XB010, XB080 & XB150)
-
- € 146.00



Footrest Individual Measurements

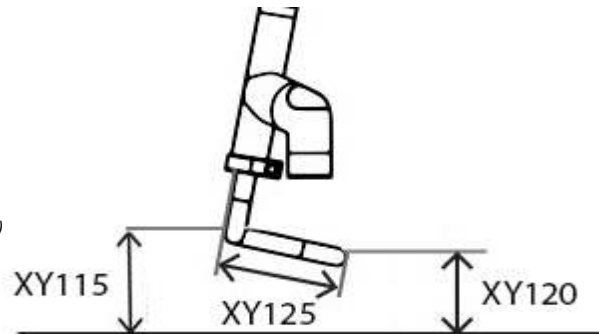
-
- XY115 Front footrest height

 mm

-
- XY120 Rear footrest height

 mm (Std = 20 lower than front height)

-
- XY125 Footrest length

 mm (Std = 100mm)


Footrest Style (Choose One)

-
- XB010 Tubular aluminium footrest (Height adjustable)

-
- XB070 Angle adjustable aluminium footrest (Angle/height adjustable)
-
- € 117.00

-
- TGAXB080 Tubular footrest welded into frame (No height adjustment)
-
- € 131.00

-
- XB030 Flip up plastic footrest (Angle/height adjustable) (with closed frame only)
-
- € 279.00

-
- XB150 Heavy duty tubular footrest (Height adjustable)
-
- € 146.00

Footrest Cover

-
- XB050 Carbon fibre cover (Not with XB070 & XB030)
-
- € 138.00

-
- XB040 Plastic Cover (Not with XB070 & XB030)
-
- € 71.00

-
- XB170 Aluminium cover (Not with XB070 & XB030)
-
- € 71.00

-
- XB165 Rubber grip tape (3M Safety walk)(not with XB030)
-
- € 39.00

CASTOR WHEELS, FORKS & WHEEL LOCKS

Castor Wheels

3"

- XC150 Froglegs Aluminium centre 3"x1.4"
€ 132.00 (Silver hub and black urethane tyre)

4"

- XC060 Soft roll 4"x1.3"
(Black)
- XC110 Froglegs Aluminium centre 4"x1"
€ 132.00 (Silver hub and black urethane tyre)
- XC137 Froglegs Carbon composite centre 4"x1.25"
€ 190.00 (Black hub & black urethane tyre)
- XC130 Froglegs Aluminium centre 4"x1.4"
€ 132.00 (choose colour below)

Choose one castor option only

- | | | | |
|--|--|--|---|
| <input type="checkbox"/> Silver hub & black tyre (Std) | <input type="checkbox"/> Black hub & blue tyre | <input type="checkbox"/> Purple hub & black tyre | <input type="checkbox"/> Silver hub & blue tyre |
| <input type="checkbox"/> Black hub & black tyre | <input type="checkbox"/> Red hub & black tyre | <input type="checkbox"/> Gold hub & black tyre | <input type="checkbox"/> Silver hub & red tyre |
| <input type="checkbox"/> Black hub & red tyre | <input type="checkbox"/> Blue hub & black tyre | <input type="checkbox"/> Green hub & black tyre | |

5"

XB

- | | |
|---|--|
| <input type="checkbox"/> XC070 Soft roll 5"x1.3" (Black) | <input type="radio"/> XC120 Froglegs Aluminium centre 5"x1" € 132.00 (Silver hub and black urethane tyre) |
| <input type="radio"/> XC100 Pneumatic Aluminium centre 5"x1" € 148.00 (Grey) | <input type="radio"/> XC140 Froglegs Aluminium centre 5"x1.4" € 132.00 (Silver hub and black urethane tyre) |

6"

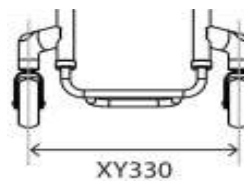
- XC145 Frog Legs aluminium centre 6"x1.4"
€ 132.00 (Silver hub and black urethane tyre)

Castor Forks

- | | |
|--|---|
| <input type="checkbox"/> XC190 Low ride castor fork (Std when no option selected) <i>Note: Colour follows accent</i> | <input type="radio"/> XC210 Froglegs suspension castor fork € 482.00 <input type="checkbox"/> Black <input type="checkbox"/> Silver |
|--|---|

Castor Pin Width

- XY330 Castor pin width
- mm
- Optimise measurements
(Minimum width for clear castor rotation and maximum wheelbase length)



Wheel Lock Options (choose one)

- | | |
|---|--|
| <input type="checkbox"/> XD020 Underseat Scissor | <input type="checkbox"/> XD050 Push to lock |
| <input type="radio"/> XD030 Compact scissor € 104.00 | <input type="radio"/> XD046 Out Front push to lock € 179.00 |
| <input type="radio"/> XD035 Compact scissor with lightweight fixing € 123.00 (Only with fixed centre of gravity) | <input type="checkbox"/> XD010 Omit wheel locks |
| <input type="radio"/> XD045 Out Front Compact scissor € 179.00 | |

SIDEGUARDS AND ARMRESTS

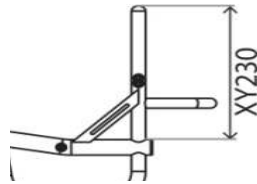
| Sideguard | Sideguard with Fender |
|---|--|
| Aluminium Options | Aluminium Options |
| <input type="radio"/> XE030 Screw on aluminium € 184.00 <input type="radio"/> XE080 Lift out aluminium € 423.00 <input type="radio"/> TGAXE130 Fold flat aluminium € 367.00 <input type="radio"/> XE180 Flip back aluminium € 220.00 <input type="radio"/> TGAXE220 Welded with 6mm bead € 279.00 <input type="radio"/> TGAXE230 Welded aluminium sport (Extra strong) € 391.00 | <input type="radio"/> XE040 Screw on aluminium with fender € 220.00 <input type="radio"/> XE090 Lift out aluminium with fender € 459.00 <input type="radio"/> TGAXE140 Fold flat aluminium with fender € 403.00 <input type="radio"/> XE190 Flip back aluminium with fender € 255.00 |
| Carbon Fibre Options | Carbon Fibre Options |
| <input type="radio"/> XE050 Screw on carbon fibre € 411.00 <input type="radio"/> XE100 Lift out carbon fibre € 573.00 <input type="radio"/> TGAXE150 Fold flat carbon fibre € 594.00 <input type="radio"/> XE200 Flip back carbon fibre € 445.00 | <input type="radio"/> XE060 Screw on carbon fibre with fender € 540.00 <input type="radio"/> XE110 Lift out carbon fibre with fender € 667.00 <input type="radio"/> TGAXE160 Fold flat carbon fibre with fender € 723.00 <input type="radio"/> XE210 Flip back carbon fibre with fender € 540.00 |
| ABS Plastic Options | Sideguard Measurements |
| <input type="radio"/> XE070 Screw on ABS plastic € 184.00 <input type="radio"/> XE120 Lift out ABS plastic € 275.00 <input type="radio"/> TGAXE170 Fold flat ABS plastic € 367.00 | Fender Height |
| Armrest Options | <input type="checkbox"/> 10mm above tyre (Standard) <input type="checkbox"/> Individual above tyre (Min = 10mm) <input type="checkbox"/> <input style="width: 50px; height: 15px; border: 1px solid black;" type="text"/> mm |
| <input type="radio"/> XF010 Lift out armrest with plastic sideguard € 472.00 (Indicate fixed height) <input type="radio"/> XF020 Lift out armrest with Aluminium sideguard € 472.00 (Indicate fixed height) Height (Top of seatrail to top of armrest) <input type="checkbox"/> <input style="width: 50px; height: 15px; border: 1px solid black;" type="text"/> mm | Fender position |
| Sideguard Measurements | <input type="checkbox"/> Centre of tyre (Standard if no option selected) <input type="checkbox"/> Outside of tyre |
| Optimised measurements | |
| <input type="checkbox"/> 25mm above tyre (Follow tyre) <input type="checkbox"/> Individual above tyre (Follow tyre) <input type="checkbox"/> <input style="width: 50px; height: 15px; border: 1px solid black;" type="text"/> mm <input type="checkbox"/> Level with tyre (Follow tyre) | |
| Individual measurements | <input type="checkbox"/> Sideguard length <input type="checkbox"/> <input style="width: 50px; height: 15px; border: 1px solid black;" type="text"/> mm <input type="checkbox"/> Sideguard height <input type="checkbox"/> <input style="width: 50px; height: 15px; border: 1px solid black;" type="text"/> mm |
| Choose optimised or individual measurements | |

BACKREST

Backrest Height - Fixed or Adjustable (Choose One)

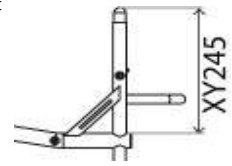
- XY230 Fixed height backrest

Specify height
 mm



- XY245 Adjustable height backrest
 € 138.00 (+/-25mm)

Specify height
 mm



Backrest Design - Fixed or Folding (Choose One)

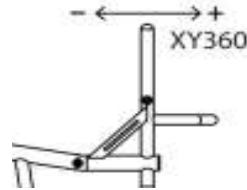
- XG010 Fixed backrest (Non-folding)

- TGAXG020 Folding backrest with 2 position snap lock and angle adjust (± 5 Deg)
 € 346.00

Ergonomics - Rearward Positioning

- XY360 Backrest angle

Specify angle
 -5 -3 0 +3 +5
 Individual Deg
 (Max -10/+20 Deg)



- XG100 Ergonomic backrest
 € 83.00

Vertical height
 mm

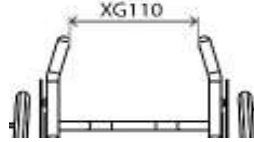
Rearward position
 mm



Ergonomics - Lateral Positioning (Choose One)

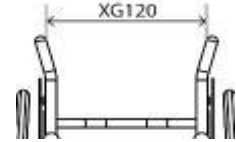
- XG110 Inward taper
 € 83.00 (inside of backrest posts)

Specify width or per side
 mm



- XG120 Outward flare
 € 83.00 (inside of backrest posts)

Specify width or per side
 mm



Push handle Options

- XG070 Screw in push handles
 € 162.00 (N/A with XY245)

- XG080 Flip down push handles
 € 249.00 (N/A with XY245)

- XG085 Flip down push handles height adjustable
 € 274.00 (N/A with XY245)

- XG090 Stroller push handles height adjustable
 € 287.00

Height from floor to top of handles
 mm

- Optimise
 (1000mm from floor)

Backrest Options

- XG040 Heavy duty backrest upgrade
 € 148.00 (Recommended for hand cycling) (Not with XY245)

- XG130 Extra deep brace bar
 € 83.00 (Recommended for JAY backs) (Std - 90mm)

Depth
 mm

ILSA Backrest Options

- XG140 Integrated lateral support
 € 435.00

A - Left
 mm

A - Right
 mm

B - Left
 mm

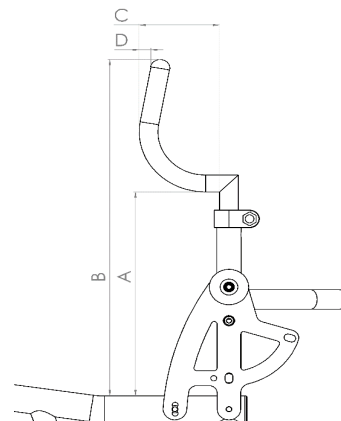
B - Right
 mm

C - Left
 mm

C - Right
 mm

D - Left
 mm

D - Right
 mm



CAMBER BAR

Adjustable Centre of Gravity

XH110 Square back adjustable centre of gravity
(25-150mm)

Specify measurement

XH120 Round back adjustable centre of gravity
(60-150mm)

Specify measurement

Fixed Centre of Gravity

TGAXH100 Single post fixed centre of gravity
€ 346.00
(25-125mm)
(Open frame only)
(Not with Crash test option)

Specify measurement

TGAXH090 V-style fixed centre of gravity
€ 346.00
(25-125mm)

Specify measurement

Specify Camber Angle

XY390 Camber angle

0 1 2 3 5

Specify Camber Angle

XY390 Camber angle

0 1 2 3 5

Camber Bar Options

XH030 Froglegs suspension camber bar
€ 698.00

XH040 Handbike camber bar fixed
€ 290.00

Camber angle (Handbike camber bar)
0 5

Castor height from floor for handbike fitting
(Standard 30mm if not indicated)
30 50

Camber Bar Options

XH040 Handbike camber bar fixed
€ 290.00

Camber angle (Handbike camber bar)
0 5

Castor height from floor for handbike fitting
(Standard 30mm if not indicated)
30 50

Anti-Tip Options

XJ010 Swingaway anti tip LEFT side (Only with square back frame. Not with XH040)
€ 148.00

XJ020 Swingaway anti tip RIGHT side (Only with square back frame. Not with XH040)
€ 148.00

XJ100 Single sport anti tip (centre mounted)
€ 459.00

| REAR WHEELS | | | |
|---|--|--|--|
| Wheel Size | | | |
| <input type="checkbox"/> XY420 24" Wheels | <input type="checkbox"/> XY430 25" Wheels | <input type="checkbox"/> XY440 26" Wheels | |
| Wheel Gap | | | |
| <input type="checkbox"/> XY460 Rear wheel gap 15 20 25 Individual <input style="width: 100px;" type="text"/> mm | | | |
| Wheel Options (Choose one) | | | |
| <input type="checkbox"/> XK010 Fusion 16 spoke <i>(Silver Hub, black spokes)</i> <input type="radio"/> XK050 Spinergy LX 12 spoke € 727.00 <input type="radio"/> XK150 Spinergy CLX 18 carbon blade spoke € 1,445.00 | <input type="radio"/> XK320 Spinergy XLX 12 spoke, cross/radial spoked € 765.00 <input type="radio"/> XK060 Spinergy SPOX 18 spoke € 547.00 <input type="radio"/> XK070 Spinergy BLXL 18 blade spoke € 765.00 | | |
| Spinergy Colour Options: | | | |
| <input type="checkbox"/> Black / Silver hub <input type="checkbox"/> Red / Black hub <input type="checkbox"/> Yellow / Black hub <input type="checkbox"/> Pink / Black hub <input type="checkbox"/> Purple / Black hub | <input type="checkbox"/> White / Black hub <input type="checkbox"/> Blue / Black hub <input type="checkbox"/> Green / Black hub <input type="checkbox"/> Orange / Black hub | <input type="radio"/> XK180 Custom spoke design € 170.00 <i>(Specify colour)</i> Inside: _____ Outside: _____ | |
| Custom Anodise Options | | | |
| <input type="radio"/> XK190 Black hub € 89.00 <input type="radio"/> XK202 Purple hub/rims € 179.00 <i>(LX, XLX & BLXL only)</i> | <input type="radio"/> XK200 Silver hub € 89.00 <input type="radio"/> XK203 Blue hub/rims € 179.00 <i>(LX, XLX & BLXL only)</i> | <input type="radio"/> XK201 Red hub/rims € 179.00 <i>(LX, XLX & BLXL only)</i> <input type="radio"/> XK204 Custom hub/rims € 236.00 <i>Select colour:</i> _____ | |
| Handrim Position / Options | | | |
| <input type="checkbox"/> XY480 Narrow set handrim <input type="radio"/> XL090 Remove excess mounting tabs € 106.00 <i>(recommended for small wheel gaps)</i> | <input type="checkbox"/> XY485 Wide set handrim | | |
| Handrim Styles | | | |
| <input type="checkbox"/> XL010 Aluminium hard anodised 6 tab <input type="radio"/> XL030 Surge LT 6 tab € 354.00 <input type="radio"/> XL020 Tetra grip 6 tab € 296.00 <input type="radio"/> XL100 Para grip 6 tab € 296.00 | <input type="radio"/> XL040 Titanium 6 tab € 251.00 <input type="radio"/> XL050 Stainless steel 6 tab € 138.00 <input type="radio"/> XL140 Ergo gripp 6 tab wide € 308.00 | | |
| Tyre Options | | | |
| <input type="checkbox"/> XM010 Kenda <input type="radio"/> XM130 Kenda black € 19.00 <input type="radio"/> XM020 Schwalbe Marathon Plus € 71.00 <input type="radio"/> XM040 Shox solid airless € 117.00 <i>(Black) (24",25" only)</i> | <input type="checkbox"/> Grey <i>(std)</i> <input type="checkbox"/> Blue <input type="checkbox"/> Red | <input type="radio"/> XM060 Schwalbe One <i>(24",25" only)</i> € 99.00 <input type="radio"/> XM050 Kenda K885 mountain bike tyre <i>(24",25" only)</i> € 28.00 | |
| Inner Tube Valve Options | | | |
| <input type="checkbox"/> XY500 Schraeder inner tube valve <i>(Standard if no option selected)</i> | <input type="checkbox"/> XY490 Presta inner tube valve | | |
| Wheel Accessories | | | |
| <input type="radio"/> XK220 Titanium 130mm quick release axle pins <i>(pair)</i> € 119.00 <i>(N/A with XK010 & XK070)</i> <input type="radio"/> XK240 Quad release axle nuts <i>(pair)</i> € 162.00 | <input type="radio"/> XK300 Offroad wheel set 22" rim with handrim, MTB tyre and axle pins <i>(Replaces 24" wheel with XM010)</i> € 674.00 <input type="radio"/> XK310 Offroad wheel set 24" rim with handrim, MTB tyre and axle pins <i>(Replaces 25" wheel with XM010)</i> € 674.00 | | |

FINISH OPTIONS

Frame & Component Finish

- XN010 Powder coated frame
 XN150 Powder coated components

Frame Comp. Gloss

- | | | |
|--------------------------|--------------------------|------------------------|
| <input type="checkbox"/> | <input type="checkbox"/> | Black gloss 103 |
| <input type="checkbox"/> | <input type="checkbox"/> | White gloss 100 |
| <input type="checkbox"/> | <input type="checkbox"/> | Grey gloss 132 |
| <input type="checkbox"/> | <input type="checkbox"/> | Cream gloss 135 |
| <input type="checkbox"/> | <input type="checkbox"/> | Red gloss 108 |
| <input type="checkbox"/> | <input type="checkbox"/> | Yellow gloss 120 |
| <input type="checkbox"/> | <input type="checkbox"/> | Forest green gloss 143 |
| <input type="checkbox"/> | <input type="checkbox"/> | Green gloss 107 |
| <input type="checkbox"/> | <input type="checkbox"/> | Dark blue gloss 151 |
| <input type="checkbox"/> | <input type="checkbox"/> | Royal blue gloss 154 |
| <input type="checkbox"/> | <input type="checkbox"/> | Blue gloss 174 |
| <input type="checkbox"/> | <input type="checkbox"/> | Duckegg blue gloss 141 |
| <input type="checkbox"/> | <input type="checkbox"/> | Pink gloss 188 |
| <input type="checkbox"/> | <input type="checkbox"/> | Orange gloss 180 |
| <input type="checkbox"/> | <input type="checkbox"/> | Purple gloss 157 |

Frame Comp. Matt

- | | | |
|--------------------------|--------------------------|---------------------|
| <input type="checkbox"/> | <input type="checkbox"/> | Black matt 105 |
| <input type="checkbox"/> | <input type="checkbox"/> | White matt 101 |
| <input type="checkbox"/> | <input type="checkbox"/> | Grey matt 131 |
| <input type="checkbox"/> | <input type="checkbox"/> | Light grey matt 133 |
| <input type="checkbox"/> | <input type="checkbox"/> | Navy blue matt 152 |

Frame Comp. Special

- | | | |
|--------------------------|--------------------------|-------------------------|
| <input type="checkbox"/> | <input type="checkbox"/> | Chrome Mirror 300 |
| <input type="checkbox"/> | <input type="checkbox"/> | Sparkle silver 170 |
| <input type="checkbox"/> | <input type="checkbox"/> | Metallic black matt 104 |
| <input type="checkbox"/> | <input type="checkbox"/> | Metallic grey matt 130 |
| <input type="checkbox"/> | <input type="checkbox"/> | Black sandpaper 201 |
| <input type="checkbox"/> | <input type="checkbox"/> | Grey sandpaper 202 |
| <input type="checkbox"/> | <input type="checkbox"/> | White sandpaper 200 |

Custom

- XN200 Custom paint colour
 € 179.00

Frame Comp. Select colour/RAL:

- | | | | | | |
|--------------------------------|----------------|----------|-----------------------------|---------------------|----------|
| <input type="radio"/> TGAXN030 | Brushed frame | € 250.00 | <input type="radio"/> XN160 | Brushed components | € 100.00 |
| <input type="radio"/> TGAXN050 | Polished frame | € 641.00 | <input type="radio"/> XN170 | Polished components | € 170.00 |

Accent Colour (Choose One)

Note: Accent colour includes, forks & castor caps.

- | | | | |
|--------------------------|---------------|--------------------------|---|
| <input type="checkbox"/> | Black accent | <input type="checkbox"/> | Silver accent |
| <input type="checkbox"/> | Red accent | <input type="checkbox"/> | Blue accent |
| <input type="checkbox"/> | Purple accent | <input type="checkbox"/> | Carbon accent (Castor caps only, black for rest) |

UPHOLSTERY

Seat Upholstery

- XP040 Seat sling adjustable tension with straps
 XR050 Carbon fibre seat plate
€ 353.00

Backrest Upholstery

- | | | | | | | | | | |
|--------------------------------|---|-----------------------------|--|--------------------------|-----|--------------------------|-------------|--------------------------|-----|
| <input type="checkbox"/> XP050 | Airtech backrest strap adjustable | <input type="radio"/> XP070 | Backrest upgrade to leather corners (not with flip down push handles) (select colour) € 125.00 | | | | | | |
| <input type="radio"/> XP060 | Backrest upgrade to full leather (select colour) € 362.00 | <input type="checkbox"/> | Black (std) | <input type="checkbox"/> | Red | <input type="checkbox"/> | Black (std) | <input type="checkbox"/> | Red |

Backrest Upholstery Stitching Options

- | | | | | | |
|--------------------------|---------------------------------------|--------------------------|------------|--------------------------|--------|
| <input type="checkbox"/> | Silver (Standard if not indicated) | <input type="checkbox"/> | Black | <input type="checkbox"/> | Blue |
| <input type="checkbox"/> | Red | <input type="checkbox"/> | Light blue | <input type="checkbox"/> | Purple |

Backrest Upholstery Logo Options

- | | | | | | |
|--------------------------|---------------------------------------|--------------------------|------------|--------------------------|--------|
| <input type="checkbox"/> | Silver (Standard if not indicated) | <input type="checkbox"/> | Black | <input type="checkbox"/> | Blue |
| <input type="checkbox"/> | Red | <input type="checkbox"/> | Light blue | <input type="checkbox"/> | Purple |

Backrest Accessories

- | | | | |
|-----------------------------|-------------------------------------|-----------------------------|---|
| <input type="radio"/> XP110 | Backrest with zip pocket € 93.00 | <input type="radio"/> XP170 | Individual backrest embroidery € 143.00 (Please provide .jpeg file and positioning) |
|-----------------------------|-------------------------------------|-----------------------------|---|

CUSHION

Cushion foam options

- XP080 Cushion foam with nylon cover
 € 87.00 *(select density and size below)*
- | | | |
|--|--|---|
| <input type="checkbox"/> Soft (CMS040) | <input type="checkbox"/> Medium (CMS050) | <input type="checkbox"/> Hard (9lb recon) |
| <input type="checkbox"/> 50mm | <input type="checkbox"/> 75mm | <input type="checkbox"/> 100mm |

Cushion cover options

- XP090 Air Lite cushion cover
 € 67.00 *(Black)*
- XP100 Leather cushion cover
 € 222.00 *(select colour below)*
- Black (std) Red Grey

Jay Cushion

- XP250 JAY Extreme Active fluid pad
 € 680.00 *(Price subject to change dependant on size)*
- XP251 JAY Easy Visco
 € 252.00 *(Price subject to change dependant on size)*

Other Jay cushion, please specify code, cost, size and description:

FRAME OPTIONS

- XR060 Welded calf strap mounting loops
 € 106.00 *(To locate calf strap on front frame)*

Specify height from floor

- Optimise measurements



ACCESSORIES

- XR080 Frontwheel assembly
 € 761.00 *(Only with XB010, TGAXB080, XB150)*

(Office use only)

Frontwheel serial number:

- XP120 Frame protectors neoprene zip fasten with TIGA logo (Nylon with velcro fasten with XR060)
 € 75.00
- XR010 Seat pouch velcro attach (Black)
 € 40.00
- XR190 Phoenix Unstoppable gear bag
 € 557.00
- XR200 Rucksack with RGK logo (Black)
 € 66.00
- XR020 Underseat large storage bag (Black)
 € 93.00
- XA020 Tool kit
- XS060 Calf strap

NOTES

Blank rectangular area for handwritten notes.

Large grid area for technical drawings or detailed notes.

Data Privacy - Customer Order Forms

This data privacy notice tells you about the personal data we collect from you when you purchase one or more of our products. In collecting this personal data, we are acting as a data controller and, by law, we are required to provide you with information about us, about why and how we use your data, and about the rights you have over your data.

Who are we?

We are RGK Wheelchairs. Our address is Units 8a/b/c Ring Road, Zone 2, Burntwood Business Park, Burntwood, Staffordshire, WS7 3JQ UK

You can contact us by post at the above address, by email at data.enquiries@rgklife.com or by telephone on +44 (0)1543 670077 - Any enquiries about our use of your personal data should use the contact details above.

What personal data do we collect?

When you purchase products from us, we ask you for your name, address, contact telephone number, email address. Where necessary some personal details such as; height, weight, limb measurements and any disability or disease will be required. To fulfil your order (unless under contract) we will also need your bank account details.

Why do we collect this personal data?

We will use your personal data to allow the configuration and/or customisation of your purchase, process your order and to send you your goods. We will also send you an invoice and a delivery note. If we have a question about your delivery we will use your telephone number or email address to contact you.

We process special personal data (Health) for the purposes of the provision of healthcare treatment and manufacturing of your product. The Lawful basis for processing normal personal data is Legitimate Interest this enables us to complete your order, process your payment, deliver your goods and fulfil our contract with you.

What do we do with your information?

Your information is stored in our order processing system which is based within the European Union.

We use a third-party courier companies to deliver your goods and we share with them your name, address and telephone number in order to complete the delivery.

We do not use the personal data you provide to make any automated decisions that might affect you. Your data will be shared with an external dealer (if required) and internally with our Sales Team, Customer Services, Financial Services and Quality/Warranty departments to enable fulfilment of your order and provide support services.

How long do we keep your personal data for?

Your non-financial data will be stored for the period of the warranty of the particular product purchased for a maximum of five years.

Your financial data will be stored for seven years as is required by UK Law.

Your rights over your personal data

By law, you can ask us what personal data we hold about you. You can request a copy, correct it if it is inaccurate, request we erase it, and transfer a copy to another data controller.

You can also ask us to stop using your data if you believe we are not processing it lawfully.

To submit a request by email, post or telephone, please use the contact information provided in the 'Who are we?' section.

Your right to complain

If you have a complaint about our use of your information, you can contact the Information Commissioner's Office via their website at www.ico.org/concerns or write to them at:

Information Commissioner's Office
Wycliffe House
Water Lane
Wilmslow
Cheshire
SK9 5AF