

<h2>Zenit CLT</h2>	Order no.: -----
--------------------	-------------------------

Zenit CLT

Active wheelchair

Article number: 480F160=1_AA03_C



<input type="checkbox"/> Provide estimate only <input type="checkbox"/> Order	
Billing address/customer number	
Delivery address	
Sales person	Name

	Date Signature
<p>By placing the order, you agree to comply with the instructions for use/service manuals for accessories and products of other manufacturers when combining them with an Ottobock product, in addition to the instructions for use/service manuals of the respective Ottobock products. Also you confirm to have read, understood and accepted, our general terms and conditions. In addition, you agree, upon placing an order, to conduct your own conformity assessment or approval in accordance with national requirements if and when you implement modifications or attachments that do not meet the specifications of Ottobock instructions for use/service manuals.</p>	

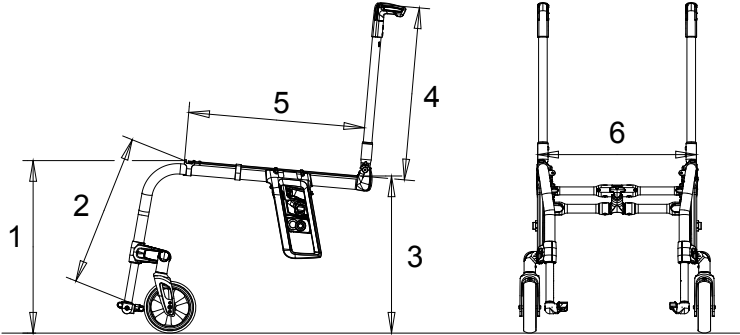
Standard equipment

- Open aluminium tube frame, foldable
- side bar (for rear wheels) firmly welded
- Back tubes firmly welded
- Foldable leg support
- Back upholstery adjustable
- Aluminium side panels
- Modular design
- Rear wheels with quick release axles
- Knee lever lock 4.0
- Calf strap

Folding, max. user weight 100 kg

Wheelchair measurements*

- 1 Anterior seat height (ASH)
= ground to top of seat upholstery
- 2 Lower leg length (LL)
= top of seat upholstery to top of footplate
(without seat cushion)
- 3 Posterior seat height (PSH)
= ground to top of seat upholstery
- 4 Back height (BH)
= top of seat tube (crossbrace) to top of back upholstery
- 5 Seat depth (SD)
= front of seat upholstery to back tube
- 6 Seat width (SW)
= outside edge of frame tube to outside edge of frame tube



The number codes contained in this order form are not intended to be used as article numbers for spare parts orders. Please use the spare parts catalogue for spare parts orders.

Material frame tube			
MA 08	<input checked="" type="checkbox"/>	Aluminium	
Spring support folding mechanism			
MA 120	<input checked="" type="checkbox"/>	Standard	
Front frame angle			
MA 20	<input type="checkbox"/>	75°	-
MA 21	<input type="checkbox"/>	85°	-
Front frame offset			
MA 14	<input type="checkbox"/>	0 cm offset	-
MA 15	<input type="checkbox"/>	2 cm offset	-
MA 30	<input type="checkbox"/>	2 cm abduction (possible till SW 42 cm)	-
Front frame extension			
MA 23	<input type="checkbox"/>	3 cm	Add. charge
Seat width SW in cm			
<input type="checkbox"/> 32	<input type="checkbox"/> 34	<input type="checkbox"/> 36	<input type="checkbox"/> 38
<input type="checkbox"/> 40	<input type="checkbox"/> 42	<input type="checkbox"/> 44	<input type="checkbox"/> 46
Seat depth SD in cm			
<input type="checkbox"/> 36	<input type="checkbox"/> 38	<input type="checkbox"/> 40	<input type="checkbox"/> 42
<input type="checkbox"/> 44	<input type="checkbox"/> 46	<input type="checkbox"/> 48	<input type="checkbox"/> 50
Anterior seat height in cm			
<input type="checkbox"/> 38	<input type="checkbox"/> 39	<input type="checkbox"/> 40	<input type="checkbox"/> 41
<input type="checkbox"/> 42	<input type="checkbox"/> 43	<input type="checkbox"/> 44	<input type="checkbox"/> 45
<input type="checkbox"/> 46	<input type="checkbox"/> 47	<input type="checkbox"/> 48	<input type="checkbox"/> 49
<input type="checkbox"/> 50	<input type="checkbox"/> 51	<input type="checkbox"/> 52	<input type="checkbox"/> 53
<input type="checkbox"/> 54			<input type="checkbox"/> 46
Frame accessories			
MA 51	<input type="checkbox"/>	Tip-assist, right	Add. charge
MA 52	<input type="checkbox"/>	Tip-assist, left	Add. charge
MA 55	<input type="checkbox"/>	Anti-tipper, right	Add. charge
MA 56	<input type="checkbox"/>	Anti-tipper, left	Add. charge
MA 60	<input type="checkbox"/>	Frame upholstery	Add. charge

Caster wheels			
MF 30	<input type="checkbox"/>	4" solid rubber, black	-
MF 35	<input type="checkbox"/>	4" soft caster, aluminium	Add. charge
MF 31	<input type="checkbox"/>	5" solid rubber, black	-
MF 36	<input type="checkbox"/>	5" soft caster, aluminium	Add. charge
MF 04	<input type="checkbox"/>	5.5" soft caster, grey	-
MF 05	<input type="checkbox"/>	6" pneumatic	-
MF 32	<input type="checkbox"/>	6" solid rubber, black	-
MF 37	<input type="checkbox"/>	6" soft caster, aluminium	Add. charge

Caster axle		
MF 90	<input checked="" type="checkbox"/>	Caster forks with threaded axles

Posterior seat height in cm							
<input type="checkbox"/> 37	<input type="checkbox"/> 38	<input type="checkbox"/> 39	<input type="checkbox"/> 40	<input type="checkbox"/> 41	<input type="checkbox"/> 42	<input type="checkbox"/> 43	<input type="checkbox"/> 44
<input type="checkbox"/> 44	<input type="checkbox"/> 45	<input type="checkbox"/> 46	<input type="checkbox"/> 47	<input type="checkbox"/> 48	<input type="checkbox"/> 49	<input type="checkbox"/> 50	

Rear wheel size			
MG 02	<input type="checkbox"/>	24"	-
MG 00	<input type="checkbox"/>	25"	-
Rear wheel camber		<input type="checkbox"/> 0°	<input type="checkbox"/> 2°
		<input type="checkbox"/> 3°	<input type="checkbox"/> 4°

Rear wheel rim			24"	25"	
MG 06	<input type="checkbox"/>	Hollow rims	•	•	-
MG 10	<input type="checkbox"/>	Spinergy SPOX	•	•	Add. charge
MG 11	<input type="checkbox"/>	Spinergy LX	•	•	Add. charge
MG 12	<input type="checkbox"/>	Spinergy LXL Blade, black spokes	•	•	Add. charge
MG 12	<input type="checkbox"/>	Spinergy LXL Blade, Blade, white spokes	•	•	Add. charge
MG 15	<input type="checkbox"/>	Infinity Ultralight	•	•	Add. charge
MG 150	<input type="checkbox"/>	Infinity Ultralight, coloured	•		Add. charge
Colour set Infinity Ultralight/caster fork			24"	25"	
<input type="checkbox"/>	Sparkle light orange		•		Add. charge
<input type="checkbox"/>	Marine blue		•		Add. charge
<input type="checkbox"/>	Candy red		•		Add. charge
<input type="checkbox"/>	Sparkle granny-smith		•		Add. charge

Tyres			24"	25"	
MG 31	<input type="checkbox"/>	Schwalbe RightRun, fine tread, 1"	•	•	-
MG 33	<input type="checkbox"/>	Schwalbe DownTown, asymmetrical tread, 1", black	•		-
MG 34	<input type="checkbox"/>	PU 1"	•		-
MG 37	<input type="checkbox"/>	Schwalbe Marathon Plus Evolution, 1", puncture-proof	•	•	Add. charge
MG 200	<input type="checkbox"/>	Schwalbe ONE 1"	•	•	Add. charge

Push rings			24"	25"	
MG 50	<input type="checkbox"/>	Aluminium, black coated	•	•	-
MG 52	<input type="checkbox"/>	Aluminium, silver anodised, high	•	•	Add. charge
MG 53	<input type="checkbox"/>	Aluminium, silver anodised, low	•		Add. charge
MG 54	<input type="checkbox"/>	Aluminium, rubber-coated	•	•	Add. charge
MG 56	<input type="checkbox"/>	Stainless steel, polished, high	•	•	Add. charge
MG 57	<input type="checkbox"/>	Stainless steel, polished, low	•		Add. charge
MG 58	<input type="checkbox"/>	Titanium, polished	•	•	Add. charge
MG 61	<input type="checkbox"/>	The Surge	•	•	Add. charge
MG 63	<input type="checkbox"/>	Curve L	•	•	Add. charge
MG 64	<input type="checkbox"/>	Curve L Grip	•	•	Add. charge
MX 27	<input type="checkbox"/>	Natural fit, regular grip	•	•	Add. charge

Push ring mounting			
MG 70	<input type="checkbox"/>	Narrow	-
MG 71	<input type="checkbox"/>	Wide	-

Breakover point in cm (measured parallel to the ground)									
<input type="checkbox"/> 5	<input type="checkbox"/> 6	<input type="checkbox"/> 7	<input type="checkbox"/> 8	<input type="checkbox"/> 9	<input type="checkbox"/> 10	<input type="checkbox"/> 11	<input type="checkbox"/> 12	<input type="checkbox"/> 13	<input type="checkbox"/> 14
Alternative measuring method (specification of rear wheel position horizontal Avantgarde)									
<input type="checkbox"/> A	<input type="checkbox"/> B	<input type="checkbox"/> C	<input type="checkbox"/> D	<input type="checkbox"/> E	<input type="checkbox"/> F	<input type="checkbox"/> G	<input type="checkbox"/> H		
(State the rear wheel position of your Avantgarde, we calculate the breakover point.)									

Quick-release axle system			
MG 27	<input type="checkbox"/>	Quick-release axle	-
MG 28	<input type="checkbox"/>	Quick-release axle with Tetra release	Add. charge

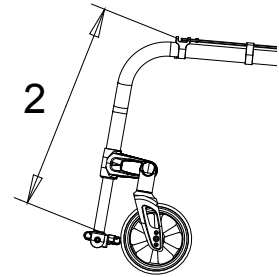
Rear wheel accessories			
MG 87	<input type="checkbox"/>	High-pressure air pump, 14 bar	Add. charge
MG 88	<input type="checkbox"/>	Airman pump, battery-operated	Add. charge

Wheel locks			
MH 01	<input type="checkbox"/>	Knee lever wheel lock 4.0	-
MH 30	<input type="checkbox"/>	Knee lever lock 4.0, lever long	Add. charge
MH 05	<input type="checkbox"/>	OutFront scissor wheel lock	Add. charge

Wheel lock accessories			
MH 10	<input type="checkbox"/>	Wheel lock lever extension for knee lever wheel lock	Add. charge
Back height in cm			
<input type="checkbox"/> 25	<input type="checkbox"/> 27,5	<input type="checkbox"/> 30	<input type="checkbox"/> 32,5
<input type="checkbox"/> 35	<input type="checkbox"/> 37,5	<input type="checkbox"/> 40	<input type="checkbox"/> 42,5
<input type="checkbox"/> 45	<input type="checkbox"/> 47,5	<input type="checkbox"/> 50	
Back system			
MD 01	<input type="checkbox"/>	Back tubes, straight (90° measured to seat tube)	-
MD 13	<input type="checkbox"/>	Back angle according to customer request (measured 90° to ground)	Add. charge
		<input type="checkbox"/> 0° <input type="checkbox"/> -5° <input type="checkbox"/> -10°	
Back upholstery			
MD 03	<input type="checkbox"/>	Sewn, adaptable using hook-and-loop straps	Add. charge
MD 05	<input type="checkbox"/>	Breathable, adaptable using hook-and-loop straps	-
MD 18	<input type="checkbox"/>	Ultra light	Add. charge
MD 06	<input type="checkbox"/>	Without	-
Widening back pad			
MD 80	<input type="checkbox"/>	+ 2 cm	MP
MD 81	<input type="checkbox"/>	+ 4 cm	MP
MD 82	<input type="checkbox"/>	without	-
Use of BAXX Back system (include order form, model-specific restrictions are possible)			
MD 44	<input type="checkbox"/>	BAXX Aluminium back (not mounted)	Add. charge
Push handles			
MD 50	<input type="checkbox"/>	Short	-
MD 51	<input type="checkbox"/>	Long	-
MD 55	<input type="checkbox"/>	Height-adjustable/removable	Add. charge
MD 56	<input type="checkbox"/>	Fold-down	Add. charge
MD 59	<input type="checkbox"/>	Without	-
Side panels			
ME 02	<input type="checkbox"/>	Clothing protector, fixed, with protection against the cold	-
ME 04	<input type="checkbox"/>	Clothing protector, fixed, carbon	Add. charge
Seat upholstery			
MC 15	<input type="checkbox"/>	Seat upholstery with storage compartments	Add. charge
MC 16	<input type="checkbox"/>	Upholstery readjustable	-
MC 18	<input type="checkbox"/>	Ultra light	Add. charge
MC 06	<input type="checkbox"/>	Without	-

Seat cushions			
MC 01	<input type="checkbox"/>	Seat cushion, standard <input type="checkbox"/> 3 cm <input type="checkbox"/> 5 cm	Add. charge
MC 02	<input type="checkbox"/>	Cubic Foam seat cushion (thickness 5 cm)	Add. charge
MC 05	<input type="checkbox"/>	EvoLight seat cushion (thickness 6 cm)	Add. charge
MC 09	<input type="checkbox"/>	Contour Gel cushion (wedge shape)	Add. charge
MC 20	<input type="checkbox"/>	Terra seat cushion (thickness 10 cm)	Add. charge
MC 21	<input type="checkbox"/>	Terra Aquos seat cushion (thickness 10 cm)	Add. charge
MC 22	<input type="checkbox"/>	Terra Flair seat cushion (thickness 10 cm)	Add. charge
MC 23	<input type="checkbox"/>	Cloud cushion (thickness 10 cm)	Add. charge
MC 24	<input type="checkbox"/>	Advantage cushion (thickness 10 cm)	Add. charge
MC 25	<input type="checkbox"/>	Z-Flo cushion (thickness 7 cm)	Add. charge

Lower leg length in cm (without seat cushion)			
Lower leg length (LL) in cm (available setting range 28 cm – 51 cm)			
MB 130	<input type="checkbox"/>	adjustable	-
MB 14	<input type="checkbox"/>	firmly welded	Add. charge



Information



MG 06 Hollow rim



MG 10 Spineray SPOX



MG 11 Spineray LX



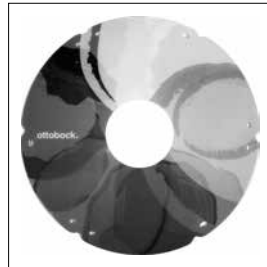
MG 15 Infinity Ultralight



MF 35/36/37 4/5/6" soft caster



MG 100 Graphic



MG 104 Spectrum

Leg support			
MB 050	<input checked="" type="checkbox"/>	Single panel, foldable	
MB 70	<input type="checkbox"/>	Lock for single foot plate	Add. charge
Design footplate			
MB 160	<input type="checkbox"/>	Aluminium	-
MB 180	<input type="checkbox"/>	Carbon	Add. charge
Other accessories			
MZ 59	<input type="checkbox"/>	Pocket for mobile phone	Add. charge
Spoke protectors			
MG 90	<input type="checkbox"/>	Spoke protector, transparent	Add. charge
MG 100	<input type="checkbox"/>	Spoke protector, Graphic decor	Add. charge
MG 101	<input type="checkbox"/>	Spoke protector, Miracle decor	Add. charge
MG 102	<input type="checkbox"/>	Spoke protector, Network decor	Add. charge
MG 103	<input type="checkbox"/>	Spoke protector, Robots decor	Add. charge
MG 104	<input type="checkbox"/>	Spoke protector, Spectrum decor	Add. charge
Frame colours			
001	<input type="checkbox"/>	Brilliant silver	-
002	<input type="checkbox"/>	Anthracite metallic	-
003	<input type="checkbox"/>	Jet black RAL 9005	-
004	<input type="checkbox"/>	Ice blue	-
005	<input type="checkbox"/>	Sparkle light orange	-
009	<input type="checkbox"/>	Vinho sparkle	-
010	<input type="checkbox"/>	Marine blue	-
012	<input type="checkbox"/>	Sky blue	-
048	<input type="checkbox"/>	Jet black matte (structure)	-
014	<input type="checkbox"/>	Candy red	-
021	<input type="checkbox"/>	Sparkle granny smith	-
023	<input type="checkbox"/>	White RAL 9016	-
027	<input type="checkbox"/>	Shimano matte	-
Special accessories			
MZ 58	<input type="checkbox"/>	Bag for rear wheels	Add. charge
MZ 89	<input type="checkbox"/>	Protection for quick-release-axle	Add. charge
MZ 92	<input type="checkbox"/>	Wheel blades	Add. charge
MZ 93	<input type="checkbox"/>	Wheelchair backpack	Add. charge