

**ORDER FORM / wheelchair****KURY**

Completed and delivered sighting protocol is **binding order** for the production of mechanical KURY wheelchair. Please, fill out questionnaire legibly and carefully! In case of doubt, please contact your dealer or the manufacturer.

**Product registration**

Serial number

Date of product shipping

Dealer or user		
Company		
Name		
Contact	address	
	country	
	e-mail	
	phone	
Other	user height (cm)	user weight (kg)

User agrees with product parameters referred to in this order form questionnaire. According to these parameters, the product will be entered into production.		Signature of user / dealer:	
Questionnaire completed:	date	Output control:	date
	signature		signature

- basic equipment included in price
- additional item with surcharge (see pricelist)

AX1 07/2017 EN

Clear form

Save form

Print form

### A PROPORTIONS

X:  cm

Y:  cm

Z:  cm

S:  cm

• rear wheel position in the holder (change the center of gravity)

• default position 2

K:

1 2 3

**pict. 1 backrest FIXED**

vertical angular 8°

**pict. 2 positioning (telescopic) handles**

vertical angular 8°

**pict. 3 additional adjustable headrest**

A B

**pict. 4 shortened handles**

6 cm 13 cm

### B Special modification of wheelchair

removable footrest (footplate)

narrow frame in front part by 6 cm


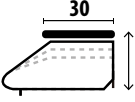
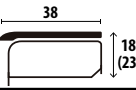
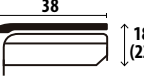
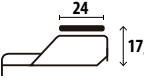
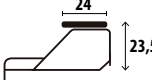
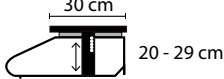

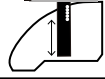

surcharge

surcharge

1 FRAME		
1.1	<input type="checkbox"/> basic wheelchair frame	✓
1.2	<input type="checkbox"/> extended wheelchair frame + 5 cm (for users of 185 cm high and more)	✓
1.3	<input type="checkbox"/> lightweight aluminium - alloy 7020	CE <input type="radio"/>

2 SEAT (Always textile made of cortex fabric, color see 3.3 according to type of backrest)		
width (S parameter)	<input type="checkbox"/> 34 <input type="checkbox"/> 36 <input type="checkbox"/> 38 <input type="checkbox"/> 40 <input type="checkbox"/> 42 <input type="checkbox"/> 45 <input type="checkbox"/> 47	✓
2.1 depth (from X parameter)	<input type="checkbox"/> 34 <input type="checkbox"/> 36 <input type="checkbox"/> 38 <input type="checkbox"/> 40 <input type="checkbox"/> 42 <input type="checkbox"/> 45 (extended frame)	✓
seat height from the ground (Z parameter)	<input type="checkbox"/> 46 <input type="checkbox"/> 48 <input type="checkbox"/> 50	✓
2.2A <input type="checkbox"/> anti-decubitus anatomic pad	thickness <input type="checkbox"/> 3 cm <input type="checkbox"/> 5 cm      color: <input type="checkbox"/> black <input type="checkbox"/> grey	<input type="radio"/>
2.2B	<input type="checkbox"/> colored hem: ..... fill color by 3.3C	
2.3 <input type="checkbox"/> removable pocket (under seat)	color: ..... fill color by 3.3B	<input type="radio"/>

3 BACKREST			
3.1B	<input type="checkbox"/> fabric textile with fixing straps (for multipoint adjustment of backrest stiffness, upper cushion textile cover select in 3.3)	✓	
3.1C	<input type="checkbox"/> anatomic backrest KURY - fill special order form! >		
3.2	<b>type of backrest</b> <b>support tube</b> <b>height of textile part</b>		
3.2A	<input type="checkbox"/> fixed (see pic. 1/ part A)	<input type="checkbox"/> vertical      26   28   30   32   34   36   38   40   42   45      ✓ <input type="checkbox"/> angular <input type="checkbox"/> <input type="checkbox"/> <input type="checkbox"/> <input type="checkbox"/> <input type="checkbox"/> <input type="checkbox"/> <input type="checkbox"/> <input type="checkbox"/> <input type="checkbox"/> <input type="checkbox"/>	
3.2B	<input type="checkbox"/> telescopic handles (see pic. 2/ part A)	<input type="checkbox"/> vertical <input type="checkbox"/> <input type="checkbox"/> <input type="checkbox"/> <input type="checkbox"/> <input type="checkbox"/> <input type="checkbox"/> <input type="checkbox"/> <input type="checkbox"/> <input type="checkbox"/> <input type="checkbox"/> <input type="checkbox"/> <input type="checkbox"/> <input type="checkbox"/> angular <input type="checkbox"/> <input type="checkbox"/> <input type="checkbox"/> <input type="checkbox"/> <input type="checkbox"/> <input type="checkbox"/> <input type="checkbox"/> <input type="checkbox"/> <input type="checkbox"/> <input type="checkbox"/> <input type="checkbox"/> <input type="checkbox"/> <input type="checkbox"/> for accompanist/assistant of more than 170 cm high	<input type="radio"/>
3.2C	<input type="checkbox"/> shortened handles -6 cm - see pict. 4	✓	
3.3 <b>upholstery - fabric, color</b> (If the backrest is not ordered, the color applies only to the seat.)			
3.3B	<input type="checkbox"/> „DOBBY” - cushion: DOBBY black + kortexin → - seat: kortexin → kortexin fabric color: <input type="checkbox"/> black <input type="checkbox"/> dark grey <input type="checkbox"/> yellow <input type="checkbox"/> red <input type="checkbox"/> violet <input type="checkbox"/> blue <input type="checkbox"/> dark green	✓	
3.3C	<input type="checkbox"/> „Air-Flow” - cushion: TEBOX black + → - seat: kortexin black only supplementary color of TEBOX fabric: <input type="checkbox"/> green (1) <input type="checkbox"/> turquoise (2) <input type="checkbox"/> red (3) <input type="checkbox"/> yellow (4) <input type="checkbox"/> grey (5) <input type="checkbox"/> pink (6) <input type="checkbox"/> black (7) <input type="checkbox"/> blue dark (8) <input type="checkbox"/> beige (9) <input type="checkbox"/> ruby (10) <input type="checkbox"/> orange (11)	CE <input type="radio"/>	
3.4	<input type="checkbox"/> textile back pocket      30 (w) x 20 (h) x 2 (d) cm - ONLY with upholstery 3.3B (DOBBY) or 3.3C (Air-Flow)	<input type="radio"/>	
3.5	<b>additional adjustable headrest</b> (upholstered, TEBOX fabric)		
3.5A	<input type="checkbox"/> small A = 130, B = 210 <input type="checkbox"/> large A = 170, B = 250 <input type="checkbox"/> shallow form C = 50mm	<input type="radio"/>	
3.5B	<input type="checkbox"/> deep form C = 100mm		
3.5B	hem color: <input type="checkbox"/> black <input type="checkbox"/> grey		
3.5C	<input type="checkbox"/> adjustable and fixing system of headrest (rack)	<input type="radio"/>	

4 ARMRESTS - tilting and removable			
4.1A	<input type="checkbox"/> E 01 long  <input type="checkbox"/> low (15) <input type="checkbox"/> high (20)	<input type="checkbox"/> E 02 low (18) <input type="checkbox"/> E 20 mid (20) <input type="checkbox"/> E 03 high (23) 	<input type="checkbox"/> E 05 long  <input type="checkbox"/> low (18) <input type="checkbox"/> high (23)
	<input type="checkbox"/> E 06 long divided  <input type="checkbox"/> low (18) <input type="checkbox"/> high (23)	<input type="checkbox"/> E 07 low 	<input type="checkbox"/> E 08 high 
4.1B	<input type="checkbox"/> E 02M low with extendable handle 		○
4.2 Mudguards - non-tilting and non-removable			
4.2A	<input type="checkbox"/> E 04 mudguards ABS plastic 		✓
4.2B	<input type="checkbox"/> E 04M mudguards with extendable handle 		○
4.2C	<input type="checkbox"/> E 04 CARBON mudguards 		CE ○

5 COLOR OF FRAME PARTS - SIDE & CROSS CONSTRUCTIONS, CASTOR WHEELS FORKS			
5.1A	<input type="checkbox"/> basic RAL	<input type="checkbox"/> (1) glossy white <input type="checkbox"/> (4) ruby <input type="checkbox"/> (8) light blue <input type="checkbox"/> (12) green	<input type="checkbox"/> (24) white matt <input type="checkbox"/> (5) light violet <input type="checkbox"/> (9) dark blue <input type="checkbox"/> (13) glossy black <input type="checkbox"/> (26) black matt
	<input type="checkbox"/> metallic	<input type="checkbox"/> (15) violet <input type="checkbox"/> (19) turquoise <input type="checkbox"/> (23) orange	<input type="checkbox"/> (2) yellow <input type="checkbox"/> (3) red <input type="checkbox"/> (6) violet <input type="checkbox"/> (7) dark violet <input type="checkbox"/> (10) turquoise <input type="checkbox"/> (11) light green <input type="checkbox"/> (17) red <input type="checkbox"/> (18) anthracit <input type="checkbox"/> (21) light green <input type="checkbox"/> (22) yellow <input type="checkbox"/> (25) brown
5.2	<input type="checkbox"/> set of colored parts - elox <input type="checkbox"/> black <input type="checkbox"/> silver <input type="checkbox"/> blue <input type="checkbox"/> red <input type="checkbox"/> orange <input type="checkbox"/> gold <input type="checkbox"/> yellowgreen	rear whl. holders + castor whl. forks + brake levers	CE ○
5.3	<input type="checkbox"/> fastening parts (screws, nuts)	<input type="checkbox"/> white zinc <input type="checkbox"/> black zinc	✓

6 FOOTREST & FOOTPLATE			
6.1	<input type="checkbox"/> one-piece footplate <input type="checkbox"/> angle 90° <input type="checkbox"/> angle 100°	(Angle can be changed).	<input type="checkbox"/> short (according to parameter Y - from 36 to 42 cm)
6.2	<input type="checkbox"/> divided footrest (for width 40 cm only ! see S paramet.)	<input type="checkbox"/> changeless an. 90° <input type="checkbox"/> changeless an. 100°	<input type="checkbox"/> long (according to parameter Y - from 44 to 52 cm)
6.3A	<input type="checkbox"/> leg support belt	<input type="checkbox"/> textile	✓
6.3B		<input type="checkbox"/> leather	○

7 CASTOR WHEELS			
wheel rim	sign / size (mm)	rim color	tire
7.1	<input type="checkbox"/> plastic	black	<input type="checkbox"/> Grey Urethane
			<input type="checkbox"/> Black Urethane
7.2A	<input type="checkbox"/> ALPU 100 x 32	5-spoke rim	Black Urethane
7.2B	<input type="checkbox"/> ALPU 100 x 35	3-spoke rim	
7.2C	<input type="checkbox"/> ALPU 125 x 32	5-spoke rim	
7.2D	<input type="checkbox"/> ALPU 125 x 35	3-spoke rim	
7.2E	<input type="checkbox"/> ALPU 100 x 32 C	<input type="checkbox"/> black <input type="checkbox"/> blue <input type="checkbox"/> red <input type="checkbox"/> orange	
7.2F	<input type="checkbox"/> ALPU 125 x 32 C	<input type="checkbox"/> gold <input type="checkbox"/> yellow-green	

8 REAR WHEELS					
8.1	rear whl. axis angle	<input type="checkbox"/> 0° <input type="checkbox"/> 2° <input type="checkbox"/> 4° (up to 80 kg weight of user and with mudguard E04 usage only)			✓
8.2 PREMIUM wheels (complete rear wheels - rim+tire+handrim)					
rear wheels marking	specification	wheel tires		spokes	
	rim, hub, handrim	size	tire (cannot be changed)		
8.2A: <input type="checkbox"/> Spinergy SPOX Everyday	alu rim, spinergy design handrim: black elox*	24 x 1"	Schwalbe MPE	vertical, 18x spinergy carbon fiber - black spokes	<input type="radio"/>
8.2B: <input type="checkbox"/> Spider	alu rim + magnesium alloy handrim: silver elox	24 x 1"	Schwalbe MPE	6x magnesium spokes, attractive design	<input type="radio"/>
8.2C: <input type="checkbox"/> Dynamic COLOR (KURY design wheels)	double rim, black elox design hub handrim: hard elox handrim: <input type="checkbox"/> 15 <input type="checkbox"/> 20 mm	24 x 1"	Schwalbe MPE	<input type="checkbox"/> white paint <input type="checkbox"/> black elox <input type="checkbox"/> red elox <input type="checkbox"/> blue elox <input type="checkbox"/> gold elox <input type="checkbox"/> orange elox <input type="checkbox"/> yellow-green elox	<input type="radio"/>
8.2D: <input type="checkbox"/> Dynamic DYS	double rim, hard elox handrim: <input type="checkbox"/> 15 <input type="checkbox"/> 20 mm	24 x 1"	Schwalbe MPE	desing spokes - 18 stainless steel intersec wires	<input type="radio"/>
8.2E: <input type="checkbox"/> SIX STAR black*	double rim, black elox handrim: black elox	24 x 1"	Schwalbe MPE	6x3 vertical stainless spokes (2,6 mm), For rear whls. angle 0° only!	<input type="radio"/>
8.2F: <input type="checkbox"/> Ultra light ONE*	double rim, black elox handrim: black elox	24 x 0,9"	Schwalbe ONE	24 spokes, black	<input type="radio"/>
8.2G: <input type="checkbox"/> Black*	double rim, black elox handrim: black elox	24 x 1"	Schwalbe MPE	24 stainless spokes black (2 mm)	<input type="radio"/>
8.2H: <input type="checkbox"/> SIX STAR silver*	double rim, silver elox handrim: silver elox	24 x 1"	Schwalbe RightRun Active	6x3 vertical stainless spokes (2,6 mm), For rear whls. angle 0° only!	<input type="radio"/>
8.2I: <input type="checkbox"/> Cross*	GrandRock, black elox handrim: <input type="checkbox"/> 15 <input type="checkbox"/> 20 mm	24 x 1,90"	Schwalbe Landcruiser	36 stainless spokes (2 mm)	<input type="radio"/>
8.2J: <input type="checkbox"/> Country	simple rim., black elox handrim: <input type="checkbox"/> 15 <input type="checkbox"/> 20 mm	24 x 1,95"	PNEU Offroad	36 stainless spokes	<input type="radio"/>
8.3 STANDARD rim - tires and handrims must be ordered separately (see 8.4 and 8.5)					
8.3A: <input type="checkbox"/> ultra light	double rim, white elox handrim see 8.5	select see 8.4	• PNEU usage ONLY (!) • NOT for drum brakes!	24 spokes, stainless	✓
8.3B: <input type="checkbox"/> standard silver	simple rim handrim see 8.5	select see 8.4	• PNEU + PU: select - see 8.4	36 spokes, zinc	✓
8.3C: <input type="checkbox"/> standard black	simple rim handrim see 8.5	select see 8.4	• PNEU + PU: see 8.4 • NOT for drum brakes!	24 spokes, stainless	✓
8.4 PNEU TIRES (marking)		size	specification		
8.4A: <input type="checkbox"/> Schwalbe Marathon Plus Evolution Reflex		24 x 1"	black + reflex strip	SmartGuard - protection belt, press. 6-10 Bar; 500 g	<input type="radio"/>
8.4B: <input type="checkbox"/> Schwalbe RightRun Active		24 x 1"	<input type="checkbox"/> black-grey <input type="checkbox"/> black-blue <input type="checkbox"/> black-red <input type="checkbox"/> black	puncture protection layer; hand-friendly 2Grip side walls, and attractive two color compound press. 6-10 Bar; 315 g	<input type="radio"/>
8.4C: <input type="checkbox"/> Schwalbe ONE		24 x 1"	black	very light and extremely cut resistant; <b>folding</b> tire; press. 6-9 Bar; 205 g	<input type="radio"/>
8.4D: <input type="checkbox"/> Schwalbe DownTown		24 x 1"	grey-black	PNEU with a puncture protection layer and hand-friendly 2Grip side walls. press. 6,0-10,0 Bar; 420 g	<input type="radio"/>
8.4E: <input type="checkbox"/> Standard pneu		24 x 1"	grey	standard PNEU tire for ultralight and standard rim (see 8.3).	✓
8.4G: <input type="checkbox"/> Standard pneu (Rubena V69 Hook)		24 x 1 3/8"	<input type="checkbox"/> grey <input type="checkbox"/> black		
URETHAN TIRES (For standard rims ONLY - see 8.3B+C!)					
8.4I: <input type="checkbox"/> PU 24 x 1"		24 x 1"	<input type="checkbox"/> grey <input type="checkbox"/> black	polyurethane tires for standard rim (see 8.3).	<input type="radio"/>
<input type="checkbox"/> PU 24 x 1 3/8"		24 x 1 3/8"			

\* Any change of tire or handrim is possible based on the current offer and special price calculations.

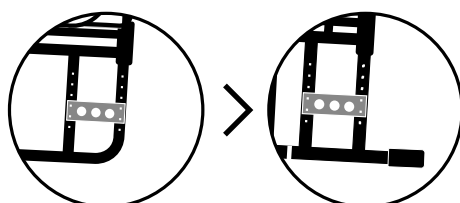
✓ basic equipment included in price     additional item with surcharge (see pricelist)    **CE** - included in COMFORT EDITION packet

8.5 handrim	specification - distance from wheel (It can be changed.)		
8.5A <input type="checkbox"/> smooth aluminium	<input type="checkbox"/> 15	<input type="checkbox"/> 20	✓
8.5B <input type="checkbox"/> hard anodized	<input type="checkbox"/> 15	<input type="checkbox"/> 20	○
8.5C <input type="checkbox"/> rubber coating	<input type="checkbox"/> 15	<input type="checkbox"/> 20	○
8.5D <input type="checkbox"/> smooth stainless	<input type="checkbox"/> 15	<input type="checkbox"/> 20	○
8.5E <input type="checkbox"/> 8 tabs	<input type="checkbox"/> 15	<input type="checkbox"/> 20 with standard rim only	○
8.5F <input type="checkbox"/> 12 tabs	<input type="checkbox"/> 15	<input type="checkbox"/> 20 with standard rim only	○
8.5G <input type="checkbox"/> covered with leather	<input type="checkbox"/> 15	<input type="checkbox"/> 20 leather type: <input type="text"/> Thread color: <input type="text"/>	○
8.6 brakes	<input type="checkbox"/> standard (straight) <input type="checkbox"/> longer lever <input type="checkbox"/> top lever bent		✓
8.6B	<input type="checkbox"/> compact brakes		CE ○
8.7A	<input type="checkbox"/> one hand rear wheel control <input type="checkbox"/> right wheel <input type="checkbox"/> left wheel		○

9 ACCESSORIES AND SPECIAL EQUIPMENT			
9.1A	<input type="checkbox"/> leg support - double belt (front and back) - adjustable, w. 45 mm	<input type="checkbox"/> leather <input type="checkbox"/> textile	○
9.1B	<input type="checkbox"/> backward roll-over prevention support (rear socket tube)*		○
9.1C	<input type="checkbox"/> quick release axles for quadriplegic	<input type="checkbox"/> 1 pcs <input type="checkbox"/> 2 pcs (price for 1 pcs)	○
9.1D	<input type="checkbox"/> carbon plug of front fork (pair)	(price for 2 pcs)	CE ○
9.1E	<input type="checkbox"/> standard pump with clips		○
9.1F	<input type="checkbox"/> pump with clips 8 ATM (greater pressure fill - Schwalbe MPE, Schwalbe RR etc.)		○
9.1G	<input type="checkbox"/> silicone handrim covers	<input type="checkbox"/> red <input type="checkbox"/> violet <input type="checkbox"/> pink <input type="checkbox"/> yellow <input type="checkbox"/> green <input type="checkbox"/> blue <input type="checkbox"/> black (price for 2 pcs)	○
9.1H	<input type="checkbox"/> buckle for locking of folding wheelchair (If selected removable pocket - viz bod 2.3 - this buckle is included.)		○
9.1I	<input type="checkbox"/> original backrest embroidery - The price will be calculated according to the range of work.		
9.1J	<input type="checkbox"/> protective sleeves for rear wheels - waterproof fabric, interior pollution prevention	(price for 2 pcs)	○
9.2 rear wheel guards			
9.2A	<input type="checkbox"/> basic	<input type="checkbox"/> white <input type="checkbox"/> transparent <input type="checkbox"/> black	○
9.2B	<input type="checkbox"/> designed (see swatch)	<input type="checkbox"/> rings <input type="checkbox"/> night <input type="checkbox"/> violet spiral <input type="checkbox"/> flower I <input type="checkbox"/> wheel <input type="checkbox"/> eyes <input type="checkbox"/> blue spiral <input type="checkbox"/> flower II <input type="checkbox"/> red-blue cascade <input type="checkbox"/> turquoise cascade	○
9.2C	<input type="checkbox"/> own design	user's own picture or photo will be print onto rear wheel guard (jpeg, pdf, eps, gif, psd, ai, min. resolution 150 dpi, size 1600x1600 pix - min. size of file (!) 0,7 MB)	
9.3	fixing and positioning accessories (see current offer)	approximate dimensions (cm)	
9.3A	<input type="checkbox"/> AD10 abdominal fixing belt	universal size: (h) 8, (w) 48	○
9.3B	<input type="checkbox"/> AD11 abdominal fixing belt for chair	<input type="checkbox"/> size 0: (h)12, (w) 40 <input type="checkbox"/> size 1: (h)16, (w) 54	○
9.3C	<input type="checkbox"/> AD11E abdominal fixing belt thin	universal size: (h)12, (w) 54	○
9.3D	<input type="checkbox"/> AD12 perineal fixing belt for chair	<input type="checkbox"/> size 0: (h)12, (w) 40 <input type="checkbox"/> size 1: (h)16, (w) 54	○
9.3E	<input type="checkbox"/> AD13 fixing belt for chair (torso)	<input type="checkbox"/> size 0: (h)12, (w) 40 <input type="checkbox"/> size 1: (h)16, (w) 54	○
9.3F	<input type="checkbox"/> AD14 fixing belt for chair (torso and pelvis)	<input type="checkbox"/> size 0: (h)12, (w) 40 <input type="checkbox"/> size 1: (h)16, (w) 54	○
9.3G	<input type="checkbox"/> ADX20 narrow abdominal belt	<input type="checkbox"/> size 0: from w. 37 <input type="checkbox"/> size 1: from w. 48	○
9.3H	<input type="checkbox"/> ADX22 4 fixpoint belt - vest „X“, zipper 17 cm	<input type="checkbox"/> size 0: (w) 30+(w) 30 <input type="checkbox"/> size 1: (w) 43+(w) 33	○
9.3I	<input type="checkbox"/> ADX23 shoulder harness	<input type="checkbox"/> size 0: (h)27 <input type="checkbox"/> size 1: (h) 33	○
9.3J	<input type="checkbox"/> ADX30 abduction support		○
9.3K	<input type="checkbox"/> ADX2 leg fixation in the ankle area to the footrest		○

11 ACTION PACKET EQUIPMENT		SALE
11.1	<input type="checkbox"/> Complet COMFORT EDITION action packet for AKTIV X1 (CE items) - SALE	-4 000,-

\* Back frame part is changed for installation of backward roll-over prevention support (see 9.1B)



✓ basic equipment included in price ○ additional item with surcharge (see pricelist) CE - included in COMFORT EDITION packet

**10** NOTES FOR PRODUCTION

Blank area for production notes.